

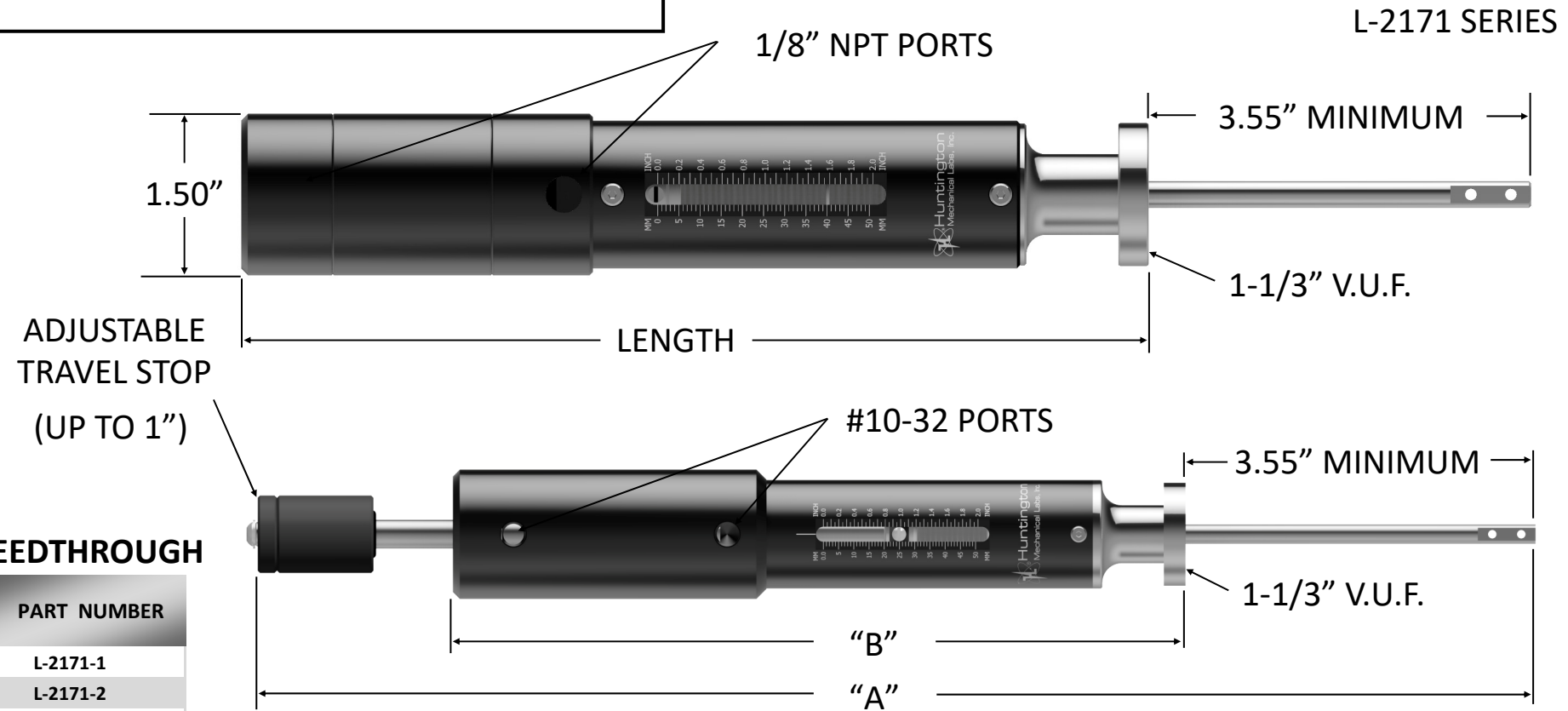
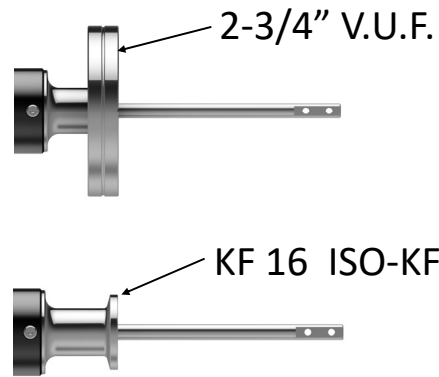
Specifications

Sealing Mechanism: Welded Bellows
Material Exposed to Vacuum: Stainless Steel
Bakeout Temperature: 200°C (Max.)
Operating Temperature: -20° to 150° C
Pressure Range: Atmosphere to 1 x 10⁻¹¹ Torr
Maximum Axial Load:
 10 lbs. (4.5 kg) concentric load (Motorized)
 25 lbs. (11.3 kg) concentric load (Pneumatic)

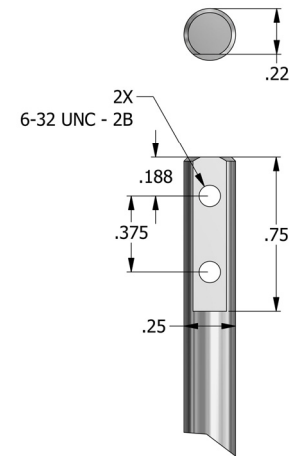
Maximum Lateral Load: 3 lbs. (1.3 kg) @ tip in minimum length position
Scale Resolution:
 Linear: 0.05" (1 mm),
 Dial: .002" (.05 mm)
Thread Pitch: .05" (1.3mm) per revolution
Pneumatic Actuator: Port Size: 1/8" NPT (Solenoid not incl.)
 Activation: Double-acting cylinder
 Air Required: 100psi (6.9 bar) maximum

THIS DRAWING IS THE PROPERTY OF HUNTINGTON MECHANICAL LABS, INC., AND IS PROPRIETARY IN GENERAL AND IN DETAIL. IT SHALL NOT BE MODIFIED IN ANY WAY. PERMISSION IS GIVEN TO PRINT AND DISSEMINATE FREELY.

Flange Options



SHAFT TIP DETAIL, L-SERIES



Dimensions: inches (mm)

L-SERIES PNEUMATIC MINI LINEAR FEEDTHROUGH

FLANGE	STROKE	LENGTH	WEIGHT (lbs.)	PART NUMBER
1 1/3"	1.0 (25.4)	6.06 (153.9)	2.0	L-2171-1
	2.0 (50.8)	8.44 (214.3)	2.5	L-2171-2
	4.0 (101.6)	13.20 (335.3)	3.5	L-2171-4
2 3/4"	1.0 (25.4)	6.06 (153.9)	2.2	L-2171-1-A
	2.0 (50.8)	8.44 (214.3)	2.7	L-2171-2-A
	4.0 (101.6)	13.20 (335.3)	3.8	L-2171-4-A
KF 16	1.0 (25.4)	6.06 (153.9)	2.0	L-2171-1-SF
	2.0 (50.8)	8.44 (214.3)	2.5	L-2171-2-SF
	4.0 (101.6)	13.20 (335.3)	3.5	L-2171-4-SF

L-SERIES PNEUMATIC LINEAR w/ADJUSTABLE STOP

FLANGE	STROKE	LENGTH "A"	LENGTH "B"	WEIGHT (lbs.)	PART NUMBER
1 1/3"	1.0 (25.4)	13.26 (336.8)	7.10 (180.3)	2.0	L-2172-1
	2.0 (50.8)	16.64 (422.7)	9.48 (240.8)	2.5	L-2172-2
	4.0 (101.6)	23.40 (594.4)	14.24 (361.7)	3.5	L-2172-4
2 3/4"	1.0 (25.4)	13.26 (336.8)	7.10 (180.3)	2.2	L-2172-1-A
	2.0 (50.8)	16.64 (422.7)	9.48 (240.8)	2.7	L-2172-2-A
	4.0 (101.6)	23.40 (594.4)	14.24 (361.7)	3.8	L-2172-4-A
KF 16	1.0 (25.4)	13.26 (336.8)	7.10 (180.3)	2.0	L-2172-1-SF
	2.0 (50.8)	16.64 (422.7)	9.48 (240.8)	2.5	L-2172-2-SF
	4.0 (101.6)	23.40 (594.4)	14.24 (361.7)	3.5	L-2172-4-SF



Other stroke lengths & flange options available. For quotes, please call 800-227-8059 or visit our website at www.huntvac.com. Email: vacman@huntvac.com

Huntington Mechanical Labs, Inc. 13355 NEVADA CITY AVENUE GRASS VALLEY, CA. 95945

FEEDTHRU, LINEAR, 2000 SERIES PNEUMATIC, US STD. W/SCALE

B	DWG. NO. L-2171(2)-X-(A)(SF) OUTLINE	REV. -
SCALE: NO SCALE	SHEET: 1	OF 1