

# Sorensen

---

## **DCS SERIES**

**Power Supplies**

**Instruction Manual**

**Manual covers DCS models:**

8-125	80-13
20-50	150-7
33-33	300-3.5
40-25	600-1.7
60-18	

### **SORENSEN**

Division of Elgar

9250 Brown Deer Road  
San Diego, CA 92121-2294

1-800-733-5427

**Tel: (858) 450-0085**

**Fax: (858) 458-0267**

**Email:** sales@elgar.com

www.elgar.com

©1998 by Sorensen, Division of Elgar Electronics Corporation

This document contains information proprietary to Sorensen, Elgar Electronics Corporation. The information contained herein is not to be duplicated or transferred in any manner without prior written permission from Sorensen.

## **SORENSEN FIVE-YEAR WARRANTY**

---

Sorensen, a division of Elgar Electronics Corporation, warrants its products to be free from defects in material and workmanship. This warranty is effective for five years from the date of shipment of the product to the original purchaser. Liability of Sorensen under this warranty shall exist provided that:

- the Buyer exposes the product to normal use and service and provides normal maintenance on the product;
- Sorensen is promptly notified of defects by the Buyer and that notification occurs within the warranty period;
- the Buyer receives a Return Material Authorization (RMA) number from Sorensen's Repair Department prior to the return of the product to Sorensen for repair, phone 800-458-4258;
- the Buyer returns the defective product in the original, or equivalent, shipping container;
- if, upon examination of such product by Sorensen it is disclosed that, in fact, a defect in materials and/or workmanship does exist, that the defect in the product was not caused by improper conditions, misuse, or negligence; and,
- that Sorensen QA seal and nameplates have not been altered or removed and the equipment has not been repaired or modified by anyone other than Sorensen authorized personnel.

This warranty is exclusive and in lieu of all other warranties, expressed or implied, including, but not limited to, implied warranties of merchantability and fitness of the product to a particular purpose. Sorensen, its agents, or representatives shall in no circumstance be liable for any direct, indirect, special, penal, or consequential loss or damage of any nature resulting from the malfunction of the product. Remedies under this warranty are expressly limited to repair or replacement of the product.

### **CONDITIONS OF WARRANTY**

- To return a defective product, contact a Sorensen representative or the Sorensen factory for an RMA number. Unauthorized returns will not be accepted and will be returned at the shipper's expense.
- For Sorensen products found to be defective within thirty days of receipt by the original purchaser, Sorensen will absorb all ground freight charges for the repair. Products found defective within the warranty period, but beyond the initial thirty-day period, should be returned prepaid to Sorensen for repair. Sorensen will repair the unit and return it by ground freight pre-paid.
- Normal warranty service is performed at Sorensen during the weekday hours of 7:30 am to 4:30 pm Pacific time. Warranty repair work requested to be accomplished outside of normal working hours will be subject to Sorensen non-warranty service rates.
- Warranty field service is available on an emergency basis. Travel expenses (travel time, per diem expense, and related air fare) are the responsibility of the Buyer. A Buyer purchase order is required by Sorensen prior to scheduling.
- A returned product found, upon inspection by Sorensen, to be in specification is subject to an inspection fee and applicable freight charges.
- Equipment purchased in the United States carries only a United States warranty for which repair must be accomplished at the Sorensen factory.

**Sorensen**

*Committed to Quality...Striving for Excellence*

**NOTE**

This equipment has been tested and found to comply with the limits for a Class A digital device, pursuant to Part 15 of the FCC Rules. These limits are designed to provide reasonable protection against harmful interference when the equipment is operated in a commercial environment. This equipment generates, uses, and can radiate radio frequency energy and, if not installed and used in accordance with the instruction manual, may cause harmful interference to radio communications. Operation of this equipment in a residential area is likely to cause harmful interference in which case the user will be required to correct the interference at his own expense.

## CONTENTS

<b>1. Features and Specifications</b>	
1.1 Description.....	1-1
1.2 Operating Modes.....	1-1
1.3 Power Supply Features.....	1-1
1.4 Specifications.....	1-3
<b>2. Installation and Operation</b>	
2.1 General.....	2-1
2.2 Initial Inspection.....	2-1
2.3 Installation.....	2-1
2.4 Initial Functional Test.....	2-3
2.5 Controls, Connectors, and Indicators.....	2-4
2.6 Standard Operation.....	2-6
2.7 Single Supply Operation.....	2-8
2.8 Multiple Supplies.....	2-9
2.9 Overvoltage Protection.....	2-10
2.10 Remote ON/OFF.....	2-14
2.11 Remote Programming.....	2-15
2.12 Remote Monitoring and Status Indicators.....	2-19
<b>3. Theory of Operation</b>	
3.1 Power Circuit (A2).....	3-1
3.2 Meter Circuit (A1).....	3-7
<b>4. Maintenance, Troubleshooting, and Calibration</b>	
4.1 General.....	4-1
4.2 Periodic Service.....	4-1
4.3 Troubleshooting.....	4-1
4.4 Calibration.....	4-2
<b>5. Schematics and Parts Lists</b>	
5.1 General.....	5-1
5.2 Parts Ordering.....	5-1
5.3 A1 Front Panel Assembly Replacement Parts.....	5-2
5.4 A2 Power Assembly Replacement Parts.....	5-4
5.5 Chassis and Cover Assembly.....	5-27
<b>Appendix A Application Note</b>	
Battery Charging.....	A-1

## SECTION 1. FEATURES AND SPECIFICATIONS

### 1.1 Description

DCS Series power supplies are 1000W supplies designed to provide highly stable, continuously variable output voltage and current for a broad range of development, system and burn-in applications. The series consists of nine models designated by the DCS prefix, followed by the output voltage and current ratings. For example, the model number DCS 60-18 indicates that the unit is rated at 0-60 Vdc and 0-18 Amps while a model DCS 20-50 is rated at 0-20 Vdc and 0-50 Amps. The DCS Series employs high frequency switching regulator technology to achieve high power density and small package size.

### 1.2 Operating Modes

The DCS Series supply has two basic operating modes: Constant Voltage and Constant Current. In constant voltage mode the output voltage is regulated at the selected value while the output current varies with the load requirements. In constant current mode the output current is regulated at the selected value while output the voltage varies with the load requirements.

An automatic crossover system enables the unit to switch operating modes in response to varying load requirements. If, for example, the unit is operating in voltage mode and the load current attempts to increase above the setting of the current control, the unit will switch automatically from voltage mode to current mode. If the load current is subsequently reduced below the setting of the current control the unit will return to voltage mode automatically.

### 1.3 Power Supply Features

- Nine models with voltage ranges from 0-8Vdc to 0-600Vdc and current outputs from 1.7A to 125A.
- 115/230Vac selectable input voltage, 47-63 Hz single phase.
- Simultaneous digital display of both voltage and current.
- Ten turn potentiometer voltage and current controls permit high resolution setting of the output voltage and current from zero to the rated output.
- Automatic mode crossover into current or voltage mode.
- Flexible output configuration: multiple units can be connected in parallel or series to provide increased current or voltage.
- High frequency switching technology allows high power density, providing increased power output in a small, light package.
- Remote sensing to compensate for losses in power leads up to 1V/lead (0.5V/lead for DCS 8-125 model).
- Adjustable Over-Voltage Protection (OVP)
- External TTL, AC or DC shutdown
- Remote voltage, current limit and OVP programming with selectable programming constants.

### 1.3 Power Supply Features (continued)

- External indicator signals for remote monitoring of OVP status, local/remote programming status, thermal shutdown, and output voltage and current.
- Optional IEEE-488 interface for complete remote programming and readback capability.

### 1.4 Specifications

#### 1.4.1 Electrical Specifications<sup>1</sup>

MODELS	8-125	20-50	33-33	40-25	60-18	80-13	150-7	300-3.5	600-1.7
Output Ratings:									
Output Voltage	0-8V	0-20V	0-33V	0-40V	0-60V	0-80V	0-150V	0-300V	0-600V
Output Current	0-125A	0-50A	0-33A	0-25A	0-18A	0-13A	0-7A	0-3.5A	0-1.7A
Output Power	1000W	1000W	1089W	1000W	1080W	1040W	1050W	1050W	1020W
Line Regulation <sup>2</sup> :									
Voltage	8mV	20mV	33mV	40mV	60mV	80mV	150mV	300mV	600mV
Current	125mA	50mA	33mA	25mA	18mA	13mA	7mA	3.5mA	1.7mA
Load Regulation <sup>3</sup> :									
Voltage	8mV	20mV	33mV	40mV	60mV	80mV	150mV	300mV	600mV
Current	125mA	50mA	33mA	25mA	18mA	13mA	7mA	3.5mA	1.7mA
Meter Accuracy:									
Voltage	0.09V	0.3V	0.43V	0.5V	0.7V	0.9V	1.6V	4.0V	7.0V
Current	1.35A	0.6A	0.43A	0.35A	0.28A	0.23A	0.08A	0.045A	0.018A
OVP Adjustment Range	0.4-8.8V	1.0-22V	1.65-36.3V	2-44V	3-66V	4-88V	7.5-165V	15-330V	30-660V
Output Noise and Ripple (V)									
rms	10mV	10mV	10mV	10mV	20mV	20mV	30mV	40mV	100mV
p-p (20Hz-20MHz)	100mV <sup>4</sup>	100mV <sup>4</sup>	100mV <sup>4</sup>	100mV <sup>4</sup>	100mV	100mV	200mV	200mV	500mV

<sup>1</sup> Specifications are warranted over a temperature range of 0-50°C with default local sensing. From 50-70°C, derate output 2% per°C.

<sup>2</sup> For input voltage variation over the AC input voltage range, with constant rated load

<sup>3</sup> For 0-100% load variation, with constant nominal line voltage

<sup>4</sup> Typical P-P noise and ripple is 50mV

AC Input: 200-250Vac at 10Arms or 100-130Vac at 20Arms, 47-63Hz

Maximum Voltage Differential from output to safety ground: 600Vdc

#### Additional Characteristics

MODELS	8-125	20-50	33-33	40-25	60-18	80-13	150-7	300-3.5	600-1.7
Stability <sup>1</sup> :									
Voltage	4mV	10mV	16.5mV	20mV	30mV	40mV	75mV	150mV	300mV
Current	62.5mA	25mA	16.5mA	12.5mA	9mA	6.5mA	3.5mA	1.75mA	0.85mA
Temperature Coefficient <sup>2</sup> :									
Voltage	1.6mV	4mV	6.6mV	8mV	12mV	16mV	30mV	60mV	120mV
Current	37.5mA	15mA	9.9mA	7.5mA	5.4mA	3.9mA	2.1mA	1.05mA	0.51mA
Maximum Remote Sense Line Drop Compensation /line	0.5V	1V	1V	1V	1V	1V	1V	1V	1V

<sup>1</sup> Maximum drift over 8 hours with constant line, load, and temperature, after 90 minute warmup

<sup>2</sup> Change in output per °C change in ambient temperature, with constant line and load

**Additional Characteristics (continued)**

**Storage Temperature Range:** -55 to +85°C

**Humidity Range:** 0 to 80% Non-condensing

**Time Delay from power on until output stable:** 2 seconds maximum

**Voltage Mode Transient Response Time:** 1mS recovery to 1% band for 30% step load change from 70% to 100% or 100% to 70%

**Remote Start/Stop and Interlock:** TTL compatible input, Contact Closure, 12-250Vac or 12-130Vdc

**Switching Frequency:** Nominal 100kHz, 200kHz output ripple (>80V models = 80kHz, 160 kHz output ripple).

**Analog Programming Linearity:** Typical error is less than 0.5% setting. Maximum error is 1% of rated output.

**Agency Approvals:** CSA, UL

**Remote Analog Programming (Full Scale Input)**

Scales are selectable via an internally-mounted switch.

PARAMETER	RESISTANCE	VOLTAGE	CURRENT
Voltage	5kΩ	5V, 10V	1mA
Current	5kΩ	0.1V, 5V, 10V	1mA
OVP	5kΩ	5V, 10V	1mA

**1.4.2 Mechanical Specifications**

	HEIGHT	WIDTH	DEPTH	WEIGHT
Single Unit	44mm (1.75in)	482.6mm (19in)	508mm (20in)	8.2kg (18lbs)

**Output Connector**

- **Models DCS 8-125 through DCS 80-13**

**Connector type:** Nickel plated copper bus bars.

**Approximate dimensions:** 1.365" x 0.8" x 0.125"

**Distance between positive and negative bus bar centers:** 2.2"

**Load wiring mounting holes:** Two 0.257" diameter holes on 0.5" centers (1/4" hardware)  
Two 0.191" diameter holes on 0.4" centers (#10 hardware)

- **Models DCS 150-7 through DCS 600-1.7**

**Connector type:** Six pin Amp Universal Mate-N-Lok connector

**Chassis mounted parts:** Housing: Amp part number 1-480705-0

Pins: Amp part number 350547-1

**Mating connector parts:** Housing: Amp part number 1-480704-0

Socket pins: Amp part number 350550-1

**Note:** Eight Socket pins and one mating connector housing are supplied in a ziplock bag packaged with each 150V through 600V unit.

## SECTION 2. INSTALLATION and OPERATING INSTRUCTIONS

### 2.1 General

After unpacking, perform an initial inspection and function test to ensure that the unit is in good working order. If the unit was damaged in shipment, notify the carrier immediately. Direct repair problems to the Sorensen Repair Department. Inquiries: 1-800-458-4258.

### 2.2 Initial Inspection

The equipment should be inspected for damage as follows:

- Inspect for obvious signs of physical damage.
- Turn front panel controls from stop to stop. Rotation should be smooth.
- Test the action of the power switch. Switching action should be positive.
- If internal damage is suspected, remove the cover and check for printed circuit board and/or component damage. Reinstall cover.

### 2.3 Installation

#### 2.3.1 Input Voltage Selection

Before using the DCS power supply the correct AC input voltage must be selected and an appropriate line cord and plug attached.

All units are shipped in a configuration requiring a 200-250Vac 10 Amp input. The unit can also be converted for use with a 100-130Vac 20A input. **WARNING: Attempted operation of the DCS power supply with the incorrect input voltage may result in internal damage to the unit.**

For use with a 200-250Vac input, connect a 250Vac 15Amp plug and cord to the rear panel AC connector and the safety ground screw. (Note that the NEUT. and LINE designations above the AC connector do not apply to 200-250V operation.)

To convert the unit for use with a 100-130Vac 20A input, perform the following steps:

1. Ensure that the unit is switched off and disconnected from any power source.
2. Remove the Phillips head screws which secure the cover and then remove the cover from the unit.
3. Remove the 230Vac voltage selector jumper located at the front center of the pcb from its mating header (designated P1 on the pcb) and install the attached 115Vac jumper in its place.
4. Remove the adhesive backed 115VAC 20A label from ribbon cable and cover the 230VAC 10A input specification above the rear panel AC connector.
5. Reinstall the cover and replace screws.



### 2.3.1 Input Voltage Selection (continued)

6. Install a 130Vac 25Amp plug and cord ensuring that the neutral (white) wire and line (black) wire are connected in the correct positions and that the safety ground wire is connected to the ground screw.

**NOTE:** To provide protection for personnel in the case of unit failure and to ensure proper power supply operation, the safety ground wire of the AC input line cord must **ALWAYS** be connected to the ground screw provided.

### 2.3.2 Input Line Impedance

The maximum input line impedance for operation at full rated output is 1 ohm. Higher source impedances can be tolerated by raising the input line voltage or by reducing the output voltage and/or current.

### 2.3.3 Ventilation Requirements

The DCS power supply may be used in rack mounted or benchtop applications. In either case sufficient space must be allowed for cooling air to reach the ventilation inputs on each side of the unit and for the fan exhaust air to exit from the rear of the unit.

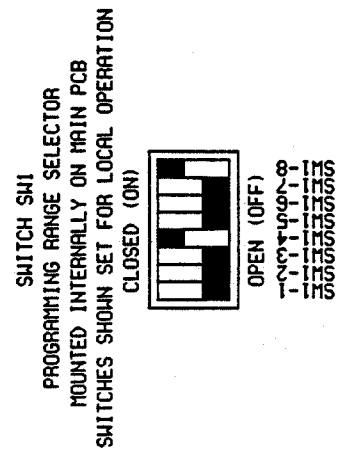
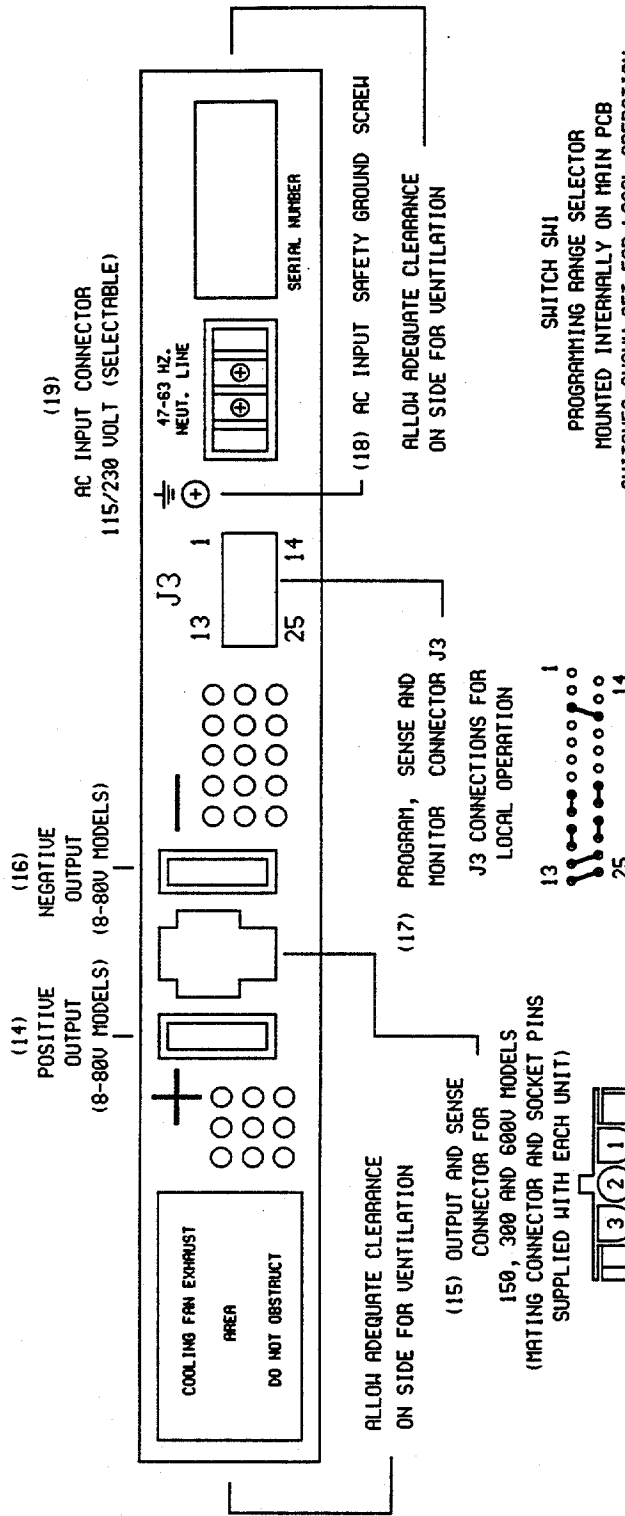
### 2.3.4 Output Voltage Biasing

If the output voltage is to be biased relative to safety ground, the power supply outputs may be biased up to a maximum of 600Vdc with respect to the chassis.

### 2.3.5 Rack Mounting

The DCS power supply is designed to fit in a standard 19" equipment rack. When installing the unit in a rack be sure to provide adequate support for the rear of the unit while not obstructing the ventilation inlet on the sides of the unit. Use adjustable support angles such as Hammond RASA22WH2, or a support bar such as Hammond RASB19WH2.

# REAR VIEW



# FRONT VIEW

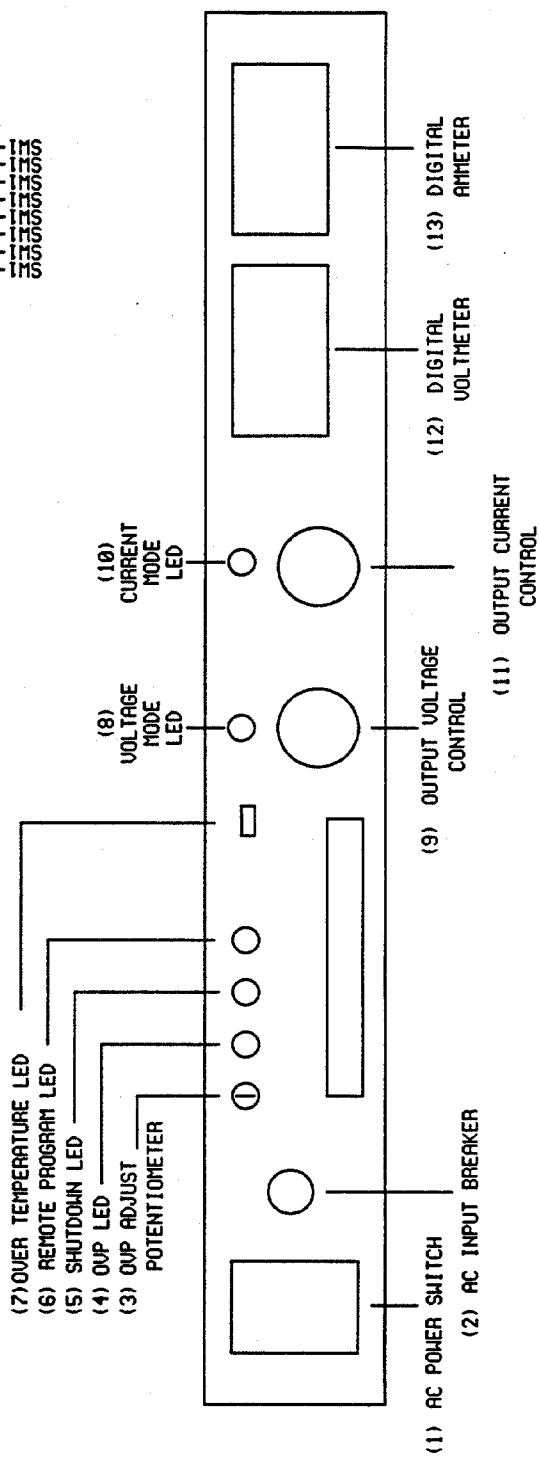
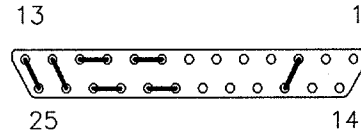


FIGURE 2-1

## 2.4 Initial Functional Tests

Before connecting the unit to an AC outlet, make sure that the power switch is in the OFF position and that the voltage and current controls are turned fully counter clockwise. Check that the J3 mating connector on the rear of the unit is in place with jumpers connected for local operation as shown below. (This is the default configuration as shipped from the factory). Connect the unit to a 230Vac grounded outlet (115Vac outlet if previously configured for 115Vac operation as per instructions in section 2.3.1) and switch the unit on. After a short power on delay the front panel meters should light up with both displays reading zero.



**Connector J3 Configuration for Local Operation**

To check **voltage mode operation**, proceed as follows:

- Connect a DVM, rated better than 0.5% accuracy, to the rear output terminals, observing correct polarity.
- Rotate the CURRENT control 1/2 turn clockwise. Slowly rotate the VOLTAGE control clockwise and observe both the internal and external meters. Minimum control range should be from zero to the maximum rated output. Compare the test meter reading with the front panel voltmeter reading. Check that the green voltage mode indicator led is ON.
- Set the POWER switch to OFF.

To check **current mode operation**, proceed as follows:

- Rotate the VOLTAGE and CURRENT controls fully counterclockwise.
- Rotate the VOLTAGE control 1/2 turn clockwise.
- Connect a high current DC ammeter across the rear output terminals, observing correct polarity. Select leads of sufficient current carrying capacity and an ammeter range compatible with the unit's rated current output. The ammeter should have an accuracy of better than 0.5%.
- Set the POWER switch to ON.
- Rotate the CURRENT control slowly clockwise. The control range should be from zero to the maximum rated output. Compare the test meter reading with the reading on the front panel ammeter. Check that the red current mode indicator led is ON.
- Set the POWER switch to OFF.

## 2.5 Controls, Connectors, and Indicators

Refer to Figure 2-1 and the descriptions below.

### 2.5.1 Front panel

1. AC Power Switch
2. AC Input Circuit Breaker
3. OVP Adjust Potentiometer: Manual adjustment for OVP trip level
4. OVP LED: Indicates that the OVP circuit has been activated when illuminated
5. Shutdown LED: Indicates activation of the remote shutdown circuit when illuminated
6. Remote Programming LED: Indicates operation by remote programming when illuminated
7. Over-Temperature LED: Indicates that the power supply is shut down due to an internal overtemperature condition when illuminated
8. Voltage Mode LED: Indicates operation in voltage mode when illuminated
9. Output Voltage Control: Multiturn potentiometer used to adjust the output voltage in local mode
10. Current Mode LED: Indicates operation in current mode when illuminated
11. Output Current Control: Multiturn potentiometer used to adjust the output current limit in local mode
12. Digital Voltmeter
13. Digital Ammeter

### 2.5.2 Rear Panel

14. Positive Output for 8, 20, 33, 40, 60, and 80 Volt Models
15. Output and Sense Connector for 150, 300 and 600 Volt Models
16. Negative Output for 8, 20, 33, 40, 60, and 80 Volt Models
17. Programming, Sense and Monitor Connector J3: Input connector for programming signals. Also provides access to sense connections and monitoring points. See Table 2-1 for individual pin descriptions. Note: The positive output and positive sense are not available at connector J3 on 150, 300 and 600 volt models
18. AC Input Safety Ground Screw
19. AC Input Connector

**Table 2-1 J3 Program, Sense and Monitor Connector Description**  
(D-subminiature 25 Pin Female) \*

PIN NUMBER	FUNCTION
1.....	AC/DC Shutdown Input (12-250Vac or 12-130Vdc)
14	TTL Shutdown Input
2.....	Return for Shutdown Input Signals
15	+12Vdc Output (1k ohm source impedance)
3.....	OVP Programming Input (0-5V, 0-10V or 0-1mA) Jumpered to pin 16 for local mode operation
16	1mA Current Source for Local OVP Control or Remote Resistive OVP Programming
4.....	Remote Programming Indicator High = Remote Programming Low = Local Control
17	OVP Status (High = OVP Circuit Activated)
5.....	Operating Mode Indicator High = Voltage Mode Low = Current Mode
18	Thermal Shutdown Indicator (High = Shutdown)
6.....	Ground
19	Output Voltage Monitor (Uncalibrated) 0-5V = 0-100%
7.....	Output Current Monitor (Calibrated) 0-5V = 0-100%
20	Front Panel Voltage Control (Local Mode) Jumpered to pin 21 for local operation
8.....	Front Panel Voltage Control (Remote Programming) Input for 0-1mA remote programming signal Jumpered to pin 9 for local operation and remote current source programming
21	1mA Current Source for Local Operation or Remote Resistive Programming of Output Voltage Jumpered to pin 20 for local operation
9.....	Remote Voltage Programming Input (0-5V or 0-10V) Jumpered to pin 8 for local operation and remote current source programming
22	1mA Current Source for Local Operation or Remote Resistive Programming of Output Current Limit Jumpered to pin 23 for local operation
10.....	Remote Current Programming Input (0-5V, 0-10V or 0-100mV) Jumpered to pin 11 for local operation and remote current source programming
23	Front Panel Current Control (Local Mode) Jumpered to pin 22 for local operation
11.....	Front Panel Current Control (Remote Programming) Input for 0-1mA external programming signal Jumpered to pin 10 for local operation and remote current source programming
24	Return (for local sense connections only)
12.....	Return Sense (Return for Remote Programming Inputs)
25	Positive Output (for local sense connections only)
13.....	Positive Sense

Note: Pins 25 and 13 not connected on 150, 300 and 600V models.

\* Mating connector - 25 pin male ITT Cannon DB25P or equivalent.

## 2.6 Standard Operation

Reliable performance of the DCS power supply can be obtained if certain basic precautions are taken when connecting it for use on the lab bench or installing it in a system.

To obtain a stable, low noise output, careful attention should be paid to factors such as conductor ratings, system grounding techniques and the way in which the load and remote sensing connections are made.

### 2.6.1 Load Conductor Ratings

The table below lists the maximum allowable load wiring length (in feet) for a specified wire gauge and power supply model operating at full rated output. The lengths indicated are based on PVC insulated wire with a maximum operating temperature of 105 degrees C. To overcome impedance and coupling effects which can degrade the power supply performance the use of leads of the largest gauge and shortest length possible is recommended.

MODEL	WIRE SIZE (AWG)								
	2	4	6	8	10	12	14	16	18
8-125	19	12	-	-	-	-	-	-	-
20-50	30	30	30	23	-	-	-	-	-
33-33	30	30	30	30	22	14	-	-	-
40-25	30	30	30	30	30	18	-	-	-
60-18	30	30	30	30	30	26	16	10	-
80-13	30	30	30	30	30	30	22	20	-
150-7	30	30	30	30	30	30	28	26	-
300-3.5	30	30	30	30	30	30	30	30	-
600-1.7	30	30	30	30	30	30	30	30	30

### 2.6.2 Load Connection and Grounding

Proper connection of distributed loads is an important aspect of power supply application. A common mistake is to connect leads from the power supply to one load, from that load to the next load, and so on for each load in the system. In this **parallel power distribution** method, the voltage at each load depends on the current drawn by the other loads and DC ground loops are developed. Except for low current applications, this method should not be used.

The preferred way to distribute power is by the **radial distribution** method in which power is connected to each load individually from a single pair of terminals designated as the positive and negative distribution terminals. The pair of terminals may be the power supply output terminals, the terminals of one of the loads or a distinct set of terminals specially established for distribution. Connecting the sense leads to these terminals will compensate for losses and minimize the effect of one load upon another.

### 2.6.3 Remote Sensing

The use of remote sensing permits the regulation point of the power supply to be shifted from the output terminals to the load or other distribution terminals thereby automatically compensating for the voltage losses in the leads supplying the load (provided these losses do not exceed 1V/line (0.5V/line for the DCS 8-125 model)). For example, with the voltmeter reading 10.0 volts and the sense lines connected directly to the load, the load voltage will remain regulated at 10.0 volts regardless of the voltage drops in the power leads and variations in the load current.

On 8V, 20V, 33V, 40V, 60V and 80V models the positive sense connection is available at pin 13 of connector J3 and the return sense connection is available at pin 12. For local sensing (regulation at the power supply output terminals) the sense pins are connected to pins 25 (positive output) and 24 (return) of connector J3. For remote sensing the local operation jumpers are removed and pins 13 and 12 are connected directly to the positive and negative terminals of the load.

On 150, 300 and 600V models the sense connections are available through the output connector (See Figure 2-1 for the exact pin out). On these models no sense line jumpers are required for local operation.

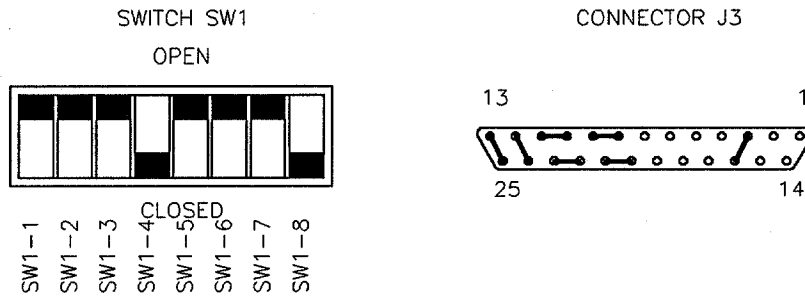
Sense wires can be any size (24AWG or larger) but in high noise environments or when the lowest possible power supply ripple is required, sense wires must be twisted and/or shielded.

**Note:** On 8-80V models the sense leads must always be connected, either for remote or local sensing. Operation of the supply with the sense leads disconnected will cause the output to fall to zero or to be unregulated.

**NEVER** use the sense connections without the normal power lead connections to the output terminals. Avoid reversing positive and negative sense lead connections.

## 2.7 Single Supply Operation (Local Mode)

To operate the DCS power supply in local mode, first install the unit and connect the load following the instructions in Sections 2.1 to 2.6. Check that switch SW1 (mounted internally on the main printed circuit board) is set for local operation and that the J3 mating connector on the rear of the unit is in place with jumpers connected for local operation. (Note: This is the default configuration as shipped from the factory. See the diagram below.) Set both the current and voltage controls fully counterclockwise.



**Switch SW1 and Connector J3 Configuration for Local Operation  
(Default factory settings)**

For **voltage mode operation**, turn the current control fully clockwise and then adjust the voltage control to obtain the desired output voltage. For **current mode operation**, turn the voltage control 1/2 turn clockwise, the current control fully counterclockwise and connect an appropriately sized shorting jumper across the output terminals. Turn the current control clockwise until the desired output current is obtained. Turn the power supply off, remove the shorting jumper, turn the voltage control fully clockwise and turn the power supply on.

Note that for a short period (less than 2 seconds) after power on, the power supply output is disabled and the current mode LED is illuminated while the main filter capacitors charge through the inrush limiter.



## 2.8 Multiple Supplies

DCS Series power supplies of the SAME MODEL may be operated with outputs in series or parallel to obtain increased load voltage or current. Split supply operation allows two positive or a positive and negative output to be obtained.

### 2.8.1 Series Operation

Series operation is used to obtain a higher voltage single output supply using two or more single units. Connect the negative terminal (-) of one supply to the positive terminal (+) of the next supply. The total voltage available is the sum of the maximum voltages of each supply (add voltmeter readings).

#### Notes:

1. The maximum allowable sum of the output voltages is 600V. This is limited by the voltage rating of certain internal components.
2. The maximum allowable current for a series string of power supplies is the rated output current of a single supply in the string.
3. Remote sensing should not be used during series operation.

### 2.8.2 Parallel Operation

Parallel operation is used to obtain a higher current single output supply using two or more single units. Set all of the outputs to the same voltage before connecting the positive terminals (+) and negative terminals (-) in parallel. The total current available is the sum of the maximum currents of each supply.

**Caution:** To prevent internal damage, ensure that the OVP trip level of all supplies is set to maximum.

### 2.8.3 Split Supply Operation

Split supply operation is used to obtain two positive voltages with a common ground, or a positive-negative supply.

To obtain **two positive voltages**, connect the negative terminals of both supplies together. The positive terminals will supply the required voltages with respect to the common connection.

To obtain a **positive-negative supply**, connect the negative terminal of one supply to the positive terminal of the second supply. The positive terminal of the first supply then provides a positive voltage relative to the common connection while the negative terminal of the second supply provides a negative voltage. The current limits can be set independently. The maximum current available in split operation is equal to the rated output of the supplies used.

## 2.9 Over Voltage Protection (OVP)

The OVP circuit allows for protection of the load in the event of a remote programming error, incorrect voltage control adjustment, or power supply failure. The protection circuit monitors the output and reduces the output voltage and current to zero whenever a preset voltage limit is exceeded. A red LED on the front panel indicates when the OVP circuit has been activated. Resetting the OVP circuit after activation requires removal of the overvoltage condition and powering the unit OFF and back ON or momentarily activating the remote shut down circuit (See Section 2.10 for information on shut down circuit operation). The OVP trip level can be set using either the front panel potentiometer or by using one of three remote programming methods (voltage, resistance or current) through the J3 connector at the rear of the unit.

### 2.9.1 Front Panel OVP Operation

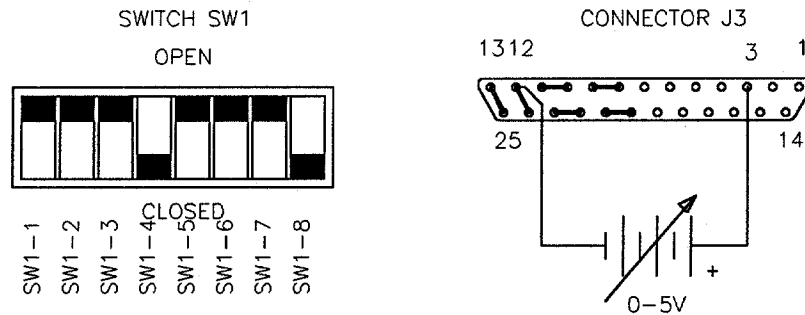
To set the trip level from the front panel use the following procedure:

1. With the unit off and disconnected from its AC source remove the cover and check that switches SW1-4 and SW1-8 are closed (factory default setting). Also check that the jumper between pins 3 and 16 of connector J3 is in place.
2. Using a small flat bladed screwdriver through the OVP ADJUST hole in the front panel, turn the adjusting screw fully clockwise (until audible clicking is heard or 20 turns maximum).
3. Turn the unit on and adjust the output to the desired trip voltage.
4. Slowly turn the adjusting screw counterclockwise until the red OVP indicator lamp lights.
5. Turn the POWER switch to OFF.
6. Turn the voltage control knob to minimum.
7. Turn the POWER switch back ON and increase the voltage to check that the power supply shuts off the output at the desired voltage.

**2.9.2 Remote Programming of OVP With External Voltage Sources**

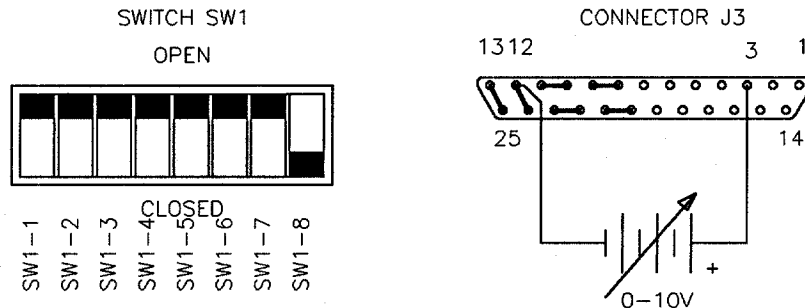
To remotely program the OVP trip level using a 0-5V or 0-10V DC voltage source use the following procedure.

1. With the unit off and disconnected from its AC source, remove the cover and set switch SW1-4 closed (default factory setting) for 0-5V programming or open for 0-10V programming. Also check that switch SW1-8 is closed (default factory setting). Set the front panel OVP adjusting potentiometer fully clockwise (until audible clicking is heard or 20 turns maximum).
2. Remove the default jumper connecting pins 16 and 3 of connector J3 and connect the voltage source between pins 3 (positive) and 12 (negative). Set the programming source voltage to maximum.
3. Turn the unit on and adjust the output to the desired trip voltage.
4. Slowly reduce the programming voltage until the red OVP indicator lamp lights and the power supply shuts down.
5. Turn the POWER switch to OFF.
6. Turn the voltage control knob to minimum.
7. Turn the POWER switch back ON and increase the voltage to check that the power supply shuts off the output at the desired voltage.



**Switch SW1 and Connector J3 Configuration  
for 0-5Vdc OVP Programming**

(J3 sense line, voltage control and current control jumpers shown set for local operation)



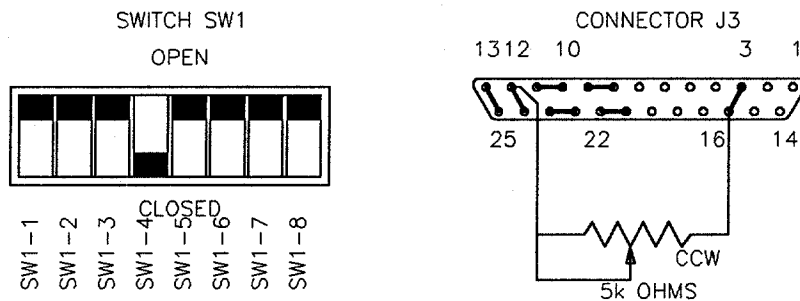
**Switch SW1 and Connector J3 Configuration  
for 0-10Vdc OVP Programming**

(J3 sense line, voltage control and current control jumpers shown set for local operation)

**2.9.3 Remote Programming of OVP with an External Resistance**

To remotely program the OVP trip level using a 5k ohm external potentiometer use the following procedure.

1. With the unit off and disconnected from its AC source remove the cover, set switch SW1-8 open and check that switch SW1-4 is closed (default factory setting for switch SW1-4).
2. Connect the counterclockwise end of the 5k potentiometer to pins 3 and 16 of connector J3. Connect the tap and the clockwise end of the potentiometer to pin 12. Set the potentiometer fully clockwise.
3. Turn the unit on and adjust the output to the desired trip voltage.
4. Slowly turn the potentiometer counterclockwise until the red OVP indicator lamp lights and the power supply shuts down.
5. Turn the POWER switch to OFF.
6. Turn the voltage control knob to minimum.
7. Turn the POWER switch back ON and increase the voltage to check that the power supply shuts off the output at the desired voltage.



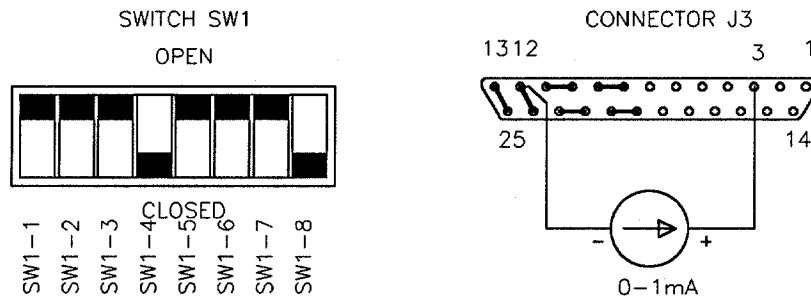
**Switch SW1 and Connector J3 Configuration  
for 0-5k OVP Programming**

(J3 sense line, voltage control and current control jumpers shown set for local operation)

### 2.9.4 Remote Programming of OVP with External Current Sources

To remotely program the OVP trip level using a 0-1mA current source use the following procedure.

1. With the unit off and disconnected from its AC source remove the cover and set switches SW1-4 and SW1-8 closed (default factory setting).
2. Using a small flat bladed screwdriver through the OVP ADJUST hole in the front panel, turn the adjusting screw fully clockwise (until audible clicking is heard or 20 turns maximum).
3. Remove the default jumper connecting pins 16 and 3 of connector J3 and connect the current source between pins 3 (positive) and 12 (negative). Set the programming source to 1mA.
4. Turn the unit on and adjust the output to the desired trip voltage.
5. Slowly reduce the programming current until the red OVP indicator lamp lights and the power supply shuts down.
6. Turn the POWER switch to OFF.
7. Turn the voltage control knob to minimum.
8. Turn the POWER switch back ON and increase the voltage to check that the power supply shuts off the output at the desired voltage.



**Switch SW1 and Connector J3 Configuration  
for 0-1mA Current Source OVP Programming**  
(J3 sense line, voltage control and current control jumpers shown set for local operation)

### 2.9.5 Remote OVP Sensing

The default configuration for the OVP circuit senses the output voltage at the power supply output terminals. For applications using remote sensing where there is a need to accurately monitor the actual load voltage, the following procedure allows the OVP sense point to be shifted from the power supply output to the sense line connection points.

1. Shut the unit off and disconnect it from its power source. Remove the cover from the unit.
2. Using a sharp exacto knife cut the component side trace connecting the right hand side of resistor R89 to the via marked OVP-LOC.
3. Install an piece of insulated #22 AWG wire from the via marked OVP-RMT C (near the trace cut just made) to the via marked OVP-RMT C1 (near capacitor C51).
4. Reinstall the cover and reconnect the unit to its power source.

To return to local OVP sensing, remove the jumper installed in step 3 above and install a jumper across the trace cut made in step 2.

## 2.10 Remote ON/OFF

This feature is useful in test applications requiring remote ON-OFF control of the output. The remote ON-OFF control circuit uses either a TTL compatible or a 12-250Vac (or 12-130Vdc) input to remotely control (disable or enable) the power supply output. For TTL operation, a logic level signal between pins 14 (positive) and 2 (return) of connector J3 determines the output conditions:

TTL LOW = OUTPUT ON  
TTL HIGH = OUTPUT OFF

For AC or DC operation, an input of 12-250Vac (or 12-130Vdc) between pins 1 (positive for DC input) and 2 (return) of connector J3 will disable the output of the supply.

A red LED on the front panel indicates when the shutdown circuit is activated. The input lines are optically isolated and can therefore be accessed by circuits with a voltage differential of up to 600Vdc.

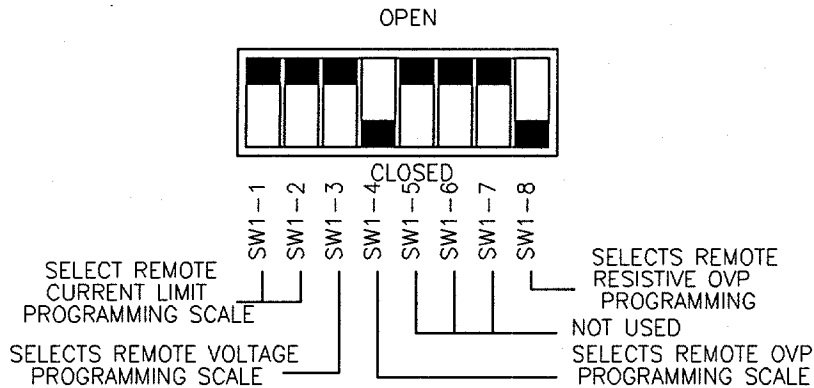
### 2.10.1 Remote ON/OFF by Contact Closure

An external relay may be used to operate the ON/OFF control circuit as follows. Connect one side of a normally open relay to pin 15 of connector J3 (+12V). Connect the other side of the relay to pin 14 (TTL Shutdown). Also connect J3 pin 2 (Shutdown return) to pin 6 (Ground). Using this configuration, the power supply will be OFF when the relay coil is energized and ON when the relay is de-energized.

If a normally closed relay is substituted for the normally open relay in the configuration described above, the power supply will be ON when the relay coil is energized and OFF when the relay is de-energized.

## 2.11 Remote Programming of Output Voltage and Current Limit

The output voltage and current limit of the power supply can be remotely programmed through the rear panel J3 connector using external voltage sources, current sources and resistances. Switch SW1 on the A2 printed circuit board controls the programming as diagrammed below. When the supply is controlled by remote programming, the green REMOTE led on the front panel is illuminated.

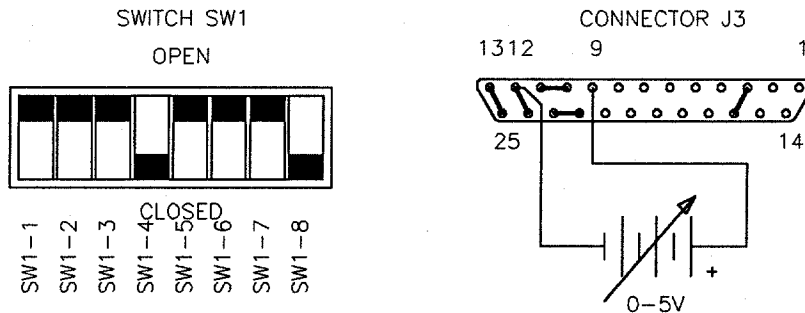


Switch SW1 Functions

**Note:** To set switch SW1 shut the unit off, disconnect it from its AC source and remove the cover. Make the appropriate switch settings then reinstall the cover and reconnect the unit to its AC source.

### 2.11.1 Programming With External Voltage Sources

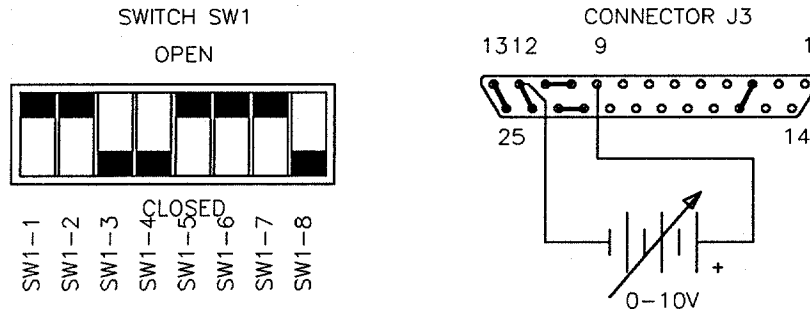
The output voltage can be programmed using either a 0-5Vdc or 0-10Vdc external voltage source. To program the output voltage with a 0-5Vdc source, set switch SW1-3 open (default factory setting) and remove the jumpers connecting pins 8 to 9 and 20 to 21 on connector J3. Connect the external source between pins 9 (positive) and 12 (return). Varying the external voltage from 0-5V will cause the output to vary from 0-100% of rated output.



Switch SW1 and Connector J3 Configuration for 0-5V Programming of the Output Voltage (J3 sense line, OVP and current control jumpers shown set for local operation)

2.11.1 Programming With External Voltage Sources (continued)

For programming with a 0-10Vdc source, close switch SW1-3 and replace the 0-5V source with a 0-10V source.

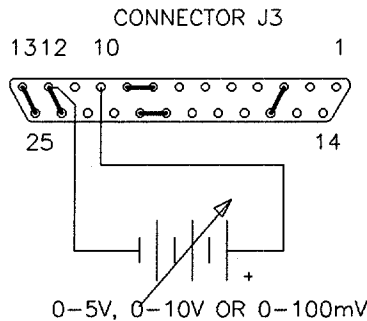


**Switch SW1 and Connector J3 Configuration for 0-10V Programming of the Output Voltage**  
(J3 sense line, OVP and current control jumpers shown set for local operation)

The output current limit can be programmed using a 0-100mVdc, 0-5Vdc or 0-10Vdc external voltage source. Selection of the programming voltage is done using switches SW1-1 and SW1-2 as indicated below.

SW1-1	SW1-2	PROGRAMMING VOLTAGE
OPEN	OPEN	0-5Vdc and Local Mode
OPEN	CLOSED	0-100mVdc
CLOSED	CLOSED	Not Used
CLOSED	OPEN	0-10Vdc

To remotely program the output current limit, set switches SW1-1 and SW1-2 as shown above, remove the jumpers connecting pins 10 to 11 and 22 to 23 of connector J3 and connect the external voltage source between pins 10 (positive) and 12 (return). Varying the voltage source from 0-100% causes the current limit to vary from 0-100% of the rated maximum.



**Connector J3 Configuration for Remote Programming of the Output Current Limit**  
(J3 sense line, OVP and voltage control jumpers shown set for local operation)

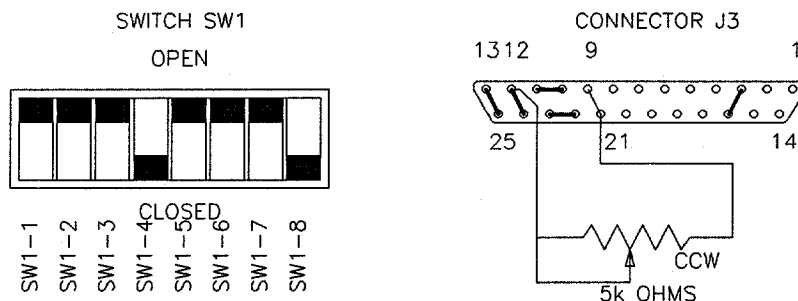


## 2.11 Remote Programming of Output Voltage and Current Limit (continued)

### 2.11.2 Programming With an External Resistance

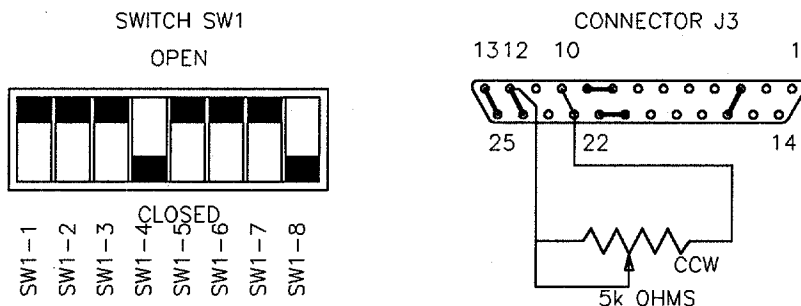
The output voltage and current limit can be programmed using a 5k ohm external potentiometer.

To program the **output voltage**, set switch SW1-3 open (default factory setting) and remove the jumpers connecting pins 8 to 9 and 20 to 21 on connector J3. Connect pins 9 and 21 to the counterclockwise end of the 5k potentiometer and connect the tap and clockwise end of the potentiometer to pin 12. Adjusting the tapped resistance from 0-5k will vary the output voltage from 0-100% of the rated output.



**Switch SW1 and Connector J3 Configuration for Resistive Programming of the Output Voltage**  
(J3 sense line, OVP and current control jumpers shown set for local operation)

To program the **output current limit**, set switches SW1-1 and SW1-2 open (default factory setting) and remove the jumpers connecting pins 10 to 11 and 22 to 23 on connector J3. Connect pins 10 and 22 to the counterclockwise end of the 5k potentiometer and connect the tap and clockwise end of the potentiometer to pin 12. Adjusting the tapped resistance from 0-5k will vary the current limit from 0-100% of the rated output.



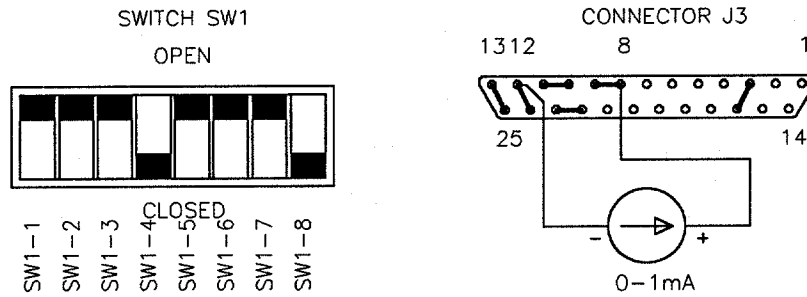
**Switch SW1 and Connector J3 Configuration for Resistive Programming of the Output Current Limit**  
(J3 sense line, OVP and voltage control jumpers shown set for local operation)

## 2.11 Remote Programming of Output Voltage and Current Limit (continued)

### 2.11.3 Programming With an External Current Source

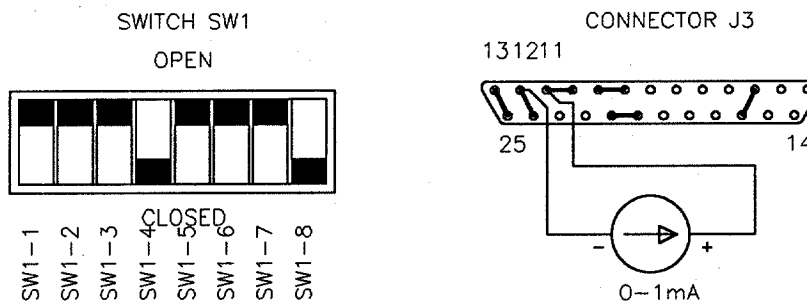
The output voltage and current limit can be programmed using an external 0-1mA current source.

To program the **output voltage**, set the front panel voltage control to maximum, set switch SW1-3 open (default factory setting) and remove the jumper between pins 20 and 21 of connector J3. Connect the external current source between pins 8 (positive) and 12 (return) of connector J3. Varying the current source from 0-1mA will vary the output voltage from 0-100% of the rated output.



**Switch SW1 and Connector J3 Configuration for 0-1mA Current Programming of the Output Voltage**  
(J3 sense line, OVP and current control jumpers shown set for local operation)

To program the **output current limit**, set the current control to maximum, set switches SW1-1 and SW1-2 open (factory setting) and remove the jumper between pins 22 and 23 of connector J3. Connect the external current source between pins 11 (positive) and 12 (return). Varying the current source from 0-1mA causes the current limit to vary from 0-100% of rated maximum.



**Switch SW1 and Connector J3 Configuration for 0-1mA Current Programming of the Output Current Limit**  
(J3 sense line, OVP and voltage control jumpers shown set for local operation)

## 2.12 Remote Monitoring and Status Indicators

Readback signals for remote monitoring of the output voltage and current are available at connector J3 on the rear of the unit. A 0-5V (uncalibrated) signal between pins 19 (positive) and 12 (negative) represents 0-100% of the rated output voltage. A 0-5V (calibrated) signal between pins 7 (positive) and 12 (negative) represents 0-100% of the rated output current. The offset and gain of the current readback signal may be adjusted through holes in the cover of the unit (See Section 4.4 Calibration for location of adjusting holes).

Status indicators for thermal shutdown, OVP operation, remote programming and operating mode are also available through the J3 connector. The table below lists the various signals, the J3 connector pins where they are available, the approximate magnitude of the signal (measured with respect to pin 6 of connector J3) and the source impedance through which the signal is fed.

INDICATOR SIGNAL	J3 CONNECTOR PIN	SIGNAL VOLTAGE	SOURCE IMPEDANCE
Thermal Shutdown	18	+10V	750Ω
OVP Circuit Activated	17	+9V	750Ω
Remote Programming	4	+10V	750Ω
Voltage Mode Operation	5	+10V	750Ω
Current Mode Operation	5	-3V	750Ω

## SECTION 3. THEORY OF OPERATION

### 3.1 Power Circuit (A2 Assembly)

This section describes the operation of the A2 assembly switching regulator power circuit. Three subsections cover basic switching regulator theory, a simplified description of the Sorensen full bridge converter, and a more detailed circuit description intended for troubleshooting purposes.

#### 3.1.1 Basic Off-Line Switching Regulator Theory

An off-line switching power supply first converts the AC input line voltage to high voltage DC by diode rectification and then chops the DC at a high frequency. This high frequency waveform is applied to the primary of a power transformer which provides a step-up or step-down in voltage and electrical isolation on its secondary. The secondary waveform is rectified and filtered, giving a smooth DC output voltage. Feedback from the secondary circuit is applied to a pulse width modulator (PWM) control circuit which controls the on-time of the primary circuit switching waveform. This increases or decreases the voltage on the secondary of the power transformer so that output regulation is obtained.

The use of high frequency transformers in switching power supplies has the advantage of requiring less volume, less weight, and dissipating less heat than the lower frequency transformers in conventional linear power supplies.

**CAUTION:** Potentially LETHAL VOLTAGES exist on the A2 circuit board on the primary side of the isolation barrier. Troubleshoot with care, preferably with power off and recognizing that filter capacitors store potentially LETHAL and DESTRUCTIVE ENERGY even for some time AFTER POWER is REMOVED. Always use an isolation transformer connected ONLY to the power supply input when making test measurements on the primary side circuits.

#### 3.1.2 Simplified Full Bridge Converter Theory (Figure 3-1)

The input AC line voltage is rectified and filtered by CR35, C71, and C72 to a raw DC voltage which is supplied to the power FETs Q13-Q16 on the primary of power transformer T1. Resistor R116 and relay K1 form an input surge current limiter which reduces the inrush current to the filter capacitors C71 and C72 during power-up. The power FETs and the primary winding of T1 form a bridge which is driven at 80-100kHz (depending on the model) by pulse width modulator (PWM) U6 through FETs Q7-Q12 and drive transformer T2. A current sense transformer T3 in the primary of the power transformer provides a feedback signal to the PWM which is compared to a limited error signal derived from the output current and voltage control circuits. The output of the comparator controls the on time of the PWM output drive waveforms on a cycle by cycle basis thereby controlling the primary current and the output of the power transformer. Diodes CR301 and CR302 (CR301-CR304 on models DCS 150-7 and 300-3.5 and CR300-CR307 on model DCS 600-1.7) rectify the output of power transformer T1 and inductor L3 and capacitors C51, C52 and C53 filter the rectified signal to provide the DC output.

A current shunt (R91) in the output return line develops a voltage dependent on the output current. This current information is compared to the setting of the front panel current limit control in the current control circuit (U4-2, U4-3 and U4-4). The output voltage is also monitored and compared to the front panel voltage control setting in the voltage control circuit (U5). The outputs of the voltage and current control circuits are ORed and this signal is fed into the PWM error amplifier inverting input providing the negative feedback required to produce a regulated output. The output voltage and current information from the current and voltage control circuits is also fed to the front panel A1 assembly where it is displayed on the digital voltage and current readouts.

Transformer T4, rectifier CR42 and regulators U9-U11 provide the necessary auxiliary supply voltages for the PWM circuit, the voltage and current control circuits, the A1 metering board and the raw DC supply for drive transformer T2. A 6.2 volt reference is also derived from the 12V supply for use in metering circuits by diode CR1 and resistor R2.

### 3.1.2 Simplified Full Bridge Converter Theory (continued)

Transformers T1, T3 and T4 provide output isolation from the line potentials in the primary circuit, the PWM circuit and the auxiliary supply circuits respectively.

### 3.1.3 Detailed Circuit Description

This section is intended to provide further detail for troubleshooting purposes. Please read the previous section as an overview and then refer to the detailed A2 assembly schematic in Section 5, Figure 5-2.

**CAUTION:** Potentially LETHAL VOLTAGES exist on the A2 circuit board on the primary side of the isolation barrier. Troubleshoot with care, preferably with power off and recognizing that filter capacitors store potentially LETHAL and DESTRUCTIVE ENERGY even for some time AFTER POWER is REMOVED. Always use an isolation transformer connected ONLY to the power supply input when making test measurements on the primary side circuits.

#### Input Rectifier and Inrush Limiting

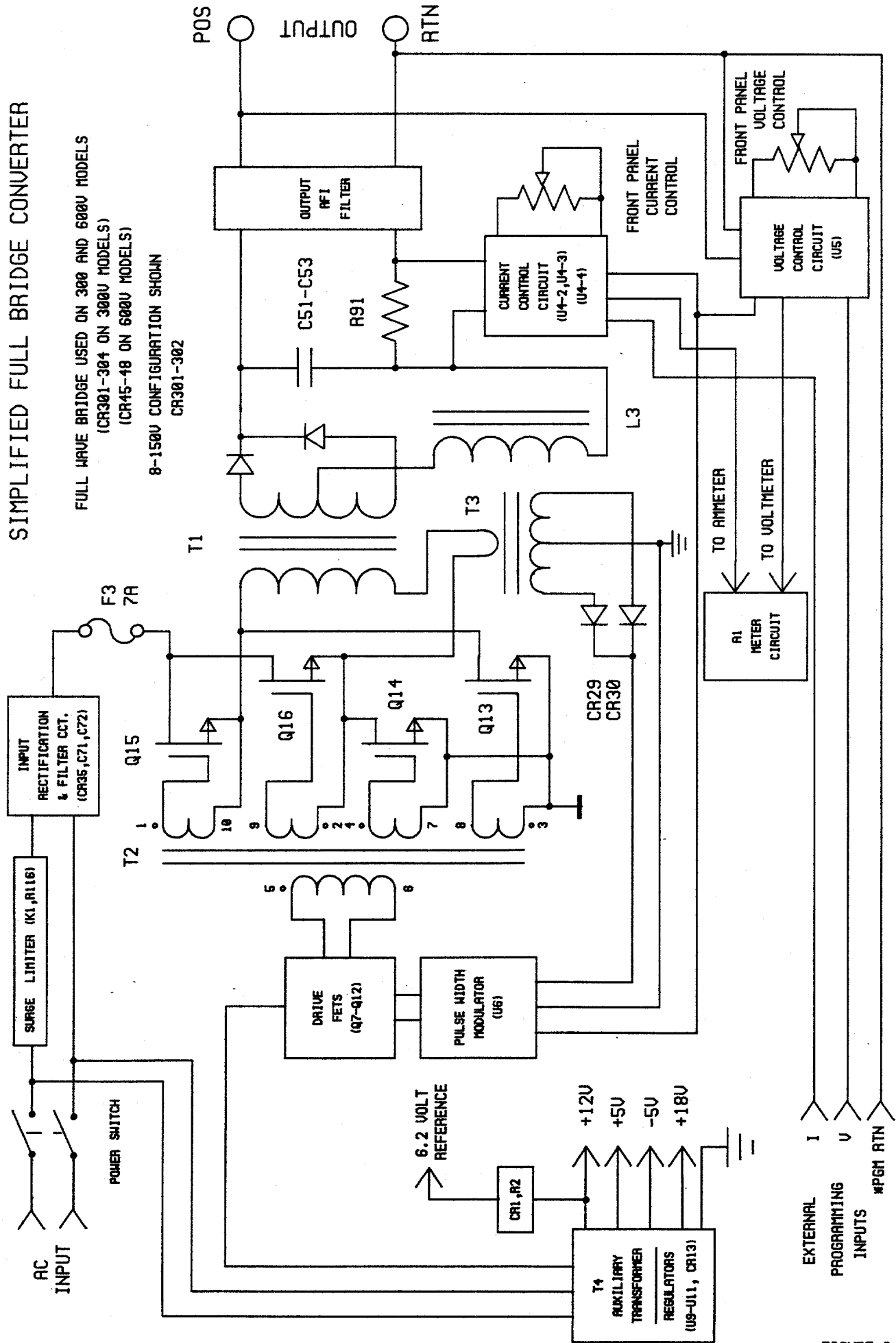
Input ac power passes from the rear panel ac connector (TB1) through an RFI filter consisting of C1-6, R125, L1, and L2 to the front panel power switch. Both input lines are switched with one line (the neutral line of a 115Vac input) returning to the A2 pcb and the input rectifier CR35 via fuse F1. The other input line (the hot line of a 115Vac input) is connected to the remaining input of rectifier CR35 via front panel circuit breaker CB1, fuse F2 and the inrush limiter formed by resistor R116 and relay K1. Resistor R116 limits the power-on inrush current to the main filter capacitors C71 and C72 until it is shorted by K1 relay contacts. The time delay for K1 contact closure is determined by the time constant formed by capacitor C12, resistor R118 and the gate threshold of FET Q6. Diode CR38 discharges C12 when the 12V auxiliary supply collapses and CR39 provides an inductive kickback path for the relay coil. During the inrush period diode CR33 holds the PWM shutdown line high, disabling the power supply output until Q6 turns on. Resistors R114 and R115 are bleeder resistors for the main filter capacitors. The rectified high voltage dc from CR35 is supplied to the main switching FETs Q13-Q16 on the primary of the power transformer T1 via fuse F3.

For 230Vac operation rectifier CR35 and filter capacitors C71 and C72 are configured as a full wave bridge. For 115Vac operation the input voltage selector P1 is switched so that CR35, C71 and C72 form a voltage doubler. In addition to determining the input rectifier configuration P1 also switches the connections to the primary of auxiliary transformer T4.

#### Pulse Width Modulator

Pulse width modulator U6 is a current mode controller which drives the main switching FETs Q13-Q16 through drive FETs Q7-Q12 and drive transformer T2. Capacitor C69 and resistors R111-R113 form a snubber on the primary of transformer T1 limiting switching transients. Transformer T3 is used to monitor T1 primary current and provide a feedback signal for the current sense amplifier of U6. Diodes CR29 and CR30 rectify T3 output while resistors R66 and R95-R97 and capacitors C60-C62 and C64A scale and condition the signal before it is input to the PWM. An internal PWM comparator compares the output of the current sense amplifier with a limited error signal derived from the output voltage and current control circuits. The output of the PWM comparator controls the pulse duration of the drive signals from pins 11 and 14 of the PWM thereby controlling the primary current in T1 and the output power. Resistor R100 and capacitor C63 set the internal oscillator of U6 to approximately 200kHz for 8V to 80V models, resulting in a 100kHz output switching frequency, or to approximately 160kHz for 150V to 600V models, resulting in a 100kHz or 80kHz output switching frequency. A 5.1V reference developed at pin 2 of the PWM is divided down by resistors R64 and R67 to provide a reference at the non inverting input of the PWM error amplifier (pin 5). The 5.1V reference voltage is also divided by resistors R65 and R68 to provide a reference at pin 1 of the PWM which limits the swing of the error amplifier output placing an upper limit on the primary current in transformer T1.

# SIMPLIFIED FULL BRIDGE CONVERTER



FULL WAVE BRIDGE USED ON 300 AND 600U MODELS  
 (CR301-304 ON 300U MODELS)  
 (CR45-48 ON 600U MODELS)  
 8-150V CONFIGURATION SHOWN  
 CR301-302

\*NOTE THAT PGM RTN IS TIED TO OUTPUT RETURN VIA THE SENSE CIRCUIT.  
 IN APPLICATIONS REQUIRING PGM RTN CONNECTION TO POSITIVE OUTPUT, AN ISOLATION AMP IS REQUIRED (OPTION M15)

FIGURE 3-1



### 3.1.3 Detailed Circuit Description (continued)

#### Output Rectifier Circuit and Output Filter

The DCS series uses two different configurations for the output rectifier. The 8V to 80V models use a full wave center tap configuration while the 150 to 600V models employ a full wave bridge. On 8V and 20V models the output rectifiers are one piece power tap units mounted on the rectifier heatsink with the secondary snubber components connected directly to the rectifier input terminals. The 33V to 600V models have their rectifier and snubber components on a separate printed circuit board which is mounted on a rectifier heatsink. Capacitors C51-C53, power inductor L3 and common mode inductor L4 form the main output filter on all models. On 8V to 80V models the secondary filter capacitors C401-C407 are on a separate pcb which is mounted on the output busbar assembly. On 150V to 600V models the secondary filter capacitors C50, C50A, C50B, C50C, C48, C48A, C48B, C49, C49A, and C49B are mounted directly on the A2 pcb. Resistor R90 is an output pre-load which allows the unit to operate under no load or light load conditions.

#### **Models DCS 8-125 to DCS 80-7**

On these models diodes CR301 and CR302 rectify the output of power transformer T1. Resistors R301-R304 and capacitors C301 and C302 form snubbers on the secondary of T1 to limit switching transients while resistors R305, R305A, R306 and R306A and capacitors C303 and C304 are used to provide additional rectifier snubbing on some models.

#### **Models DCS 150-7, DCS 300-3.5 and DCS 600-1.7**

On DCS 150-7 and DCS 300-3.5 diodes CR301-CR304 form the rectifier bridge with resistors R301-R304 and capacitors C301-C304 providing snubbing for the diodes. Resistor R305 and capacitor C305 form the snubber on the secondary of transformer T1. Capacitor C306 provides bypassing on the output of the bridge.

On DCS 600-1.7 diodes CR300-CR307 form the rectifier bridge with resistors R302-R305 and capacitors C1,2,4-13 providing snubbing for the diodes. Resistor R300 and R301 and capacitor C303 form the snubber on the secondary of transformer T1. Capacitor C300 provides bypassing on the output of the bridge.

#### Voltage Control Circuit

The output voltage is monitored by the voltage control op amp U5 at pin 3 via the positive sense line (pin 13 of connector J3 on 8V to 80V models) and the resistor divider formed by R21, R22, R53 and R85. This feedback voltage is compared with a 0-5V reference voltage gated from the front panel voltage control to pin 2 of U5 by U7-2 to provide an error signal for the PWM. If the output voltage tries to rise above the selected level the voltage at pin 3 rises and the output of U5 becomes more positive. This increase is applied to the inverting input of the PWM error amplifier through diode CR18 and resistor R69 causing the amplifier output to decrease. This reduces the PWM output drive waveform pulse width, lowering the output voltage and regulating the output at the desired level. Similarly, if the output voltage tries to fall below the selected level the voltage at pin 3 decreases, U5 output decreases, the output from the PWM error amplifier increases and the drive waveform pulse width increases which raises the output voltage to the desired level. During voltage mode operation the output of the current control circuit at U4-2 pin 7 remains low. Resistor R70 and capacitors C54, C55 and C45 provide compensation for the op amp and diodes CR21 and CR21A limits saturation. Capacitor C20, resistor R54 and CMOS gate U7-3 provide a soft start for the power supply during initial startup and recovery from shut down conditions by delaying the voltage rise at pin 2 of U5. Resistor R21 supplies the front panel voltmeter with a voltage proportional to the output voltage through pin 6 of the J1 connector while a 0-5V signal (uncalibrated) for remote monitoring of the output voltage is provided at pin 19 of connector J3. Potentiometer R53 is used to adjust the full scale output of the power supply and potentiometer R52 is used to adjust the offset on op amp U5.



### 3.1.3 Detailed Circuit Description (continued)

#### Current Control Circuit

The output current is monitored by current shunt resistor R91 which develops a voltage across it proportional to the output current. This voltage is amplified and conditioned by the differential op amp formed by U4-3, U4-4 and their associated components to provide a control ground referenced 0-5V signal at pin 5 of the current control op amp U4-2. This signal is compared to a reference signal gated from the front panel current control to pin 6 of U4-2 by U7-1. As the output current increases the voltage at pin 5 rises until it reaches the reference level set at pin 6 at which time the output of U4-2 goes high and the unit switches from voltage mode to current mode operation. The output current is maintained at the desired level by providing negative feedback to the PWM error amplifier as described in the voltage control circuit description above. Resistor R27 and capacitor C27 provide compensation for U4-2. Op amp U4-1 and related components scale the current feedback signal to provide a calibrated 0-5V output at pin 7 of connector J3 for external monitoring of the output current. The shunt voltage is also fed to the front panel ammeter via pins 8 and 9 of connector J1.

#### Operating Mode Indicator Circuit

Op amp U8-2 takes advantage of the fact that diode CR18 is forward biased during voltage mode and reverse biased during current mode to provide a mode indication signal at pin 7. This output is used to drive the back to back mode LEDs on the front panel through pin 1 of connector J1. In voltage mode U8-2 pin 7 is high and the green voltage mode led is illuminated. In current mode pin 7 is low and the red current mode led is illuminated.

#### Auxiliary Supply and 6.2V Reference Circuit

Transformer T4, rectifier CR42 and capacitors C9 and C10 provide the raw dc supply voltages from which the +12V and +5V auxiliary supplies are derived by three terminal regulators U10 and U11 respectively. Resistor R98 and zener diode CR31 provide a +18V supply to the drive fets Q7-Q12 on the primary of transformer T2. Diodes CR40 and CR41 with capacitors C7 and C11 provide the negative input to three terminal regulator U9 which supplies the -5V auxiliary output. Resistor R2 and zener diode CR1 are used to derive a stable 6.2V reference from the +12V auxiliary supply for use on the front panel meters (via pin 5 of connector J1) and the A2 pcb. Transistor Q5, diode CR32, resistors R60-62 and zener diode CR20 form a low voltage lock out which disables the power supply output by shutting down the PWM should the auxiliary raw supply fall below the threshold set by CR20.

#### Voltage and Current Control Current Sources

Op amps U2-1 and U2-2, transistors Q1 and Q2, and related components are used to provide 1mA current sources for the front panel voltage and current controls. These current sources are also used for remote resistive programming of the output voltage and current limit.

#### Over Voltage Protection Circuit

Op amp U3-1, transistor Q4 and related components provide a 1mA current source which is fed to the front panel OVP adjusting pot via the external jumper connecting pins 3 and 16 of connector J3, switch SW1-8 and pin 17 of connector J1. This current source and the OVP adjusting pot provide a 0-5V reference at pin 6 of U3-2, the OVP control op amp. The power supply output voltage is monitored at pin 5 of U3-2 through the resistor divider formed by R80 and R89. When the output voltage increases such that the voltage at pin 5 becomes higher than that at pin 6 the output of U3-2 goes high activating MOSFET Q17 (via drive FET Q2A) which clamps the power supply output off through resistor R93. Diode CR25 latches U3-2 on while diodes CR23 and CR24 gate the high signal to the shutdown pin of the PWM. The OVP indicator on the front panel is biased on via pin 15 of connector J1 when the OVP is activated. The OVP may be reset by cycling the power switch off and then back on to release the latch provided by CR25 or by momentarily activating the remote shutdown circuit which causes pin 6 to be pulled high through diode CR10.

### 3.1.3 Detailed Circuit Description (continued)

#### Over Voltage Protection Circuit (continued)

During remote voltage programming of the OVP trip level the internal 1mA current source is disconnected by removing the jumper connecting pin 3 and 16 of connector J3 and the reference voltage at pin 6 of U3-2 is provided directly by the external voltage source. Switch SW1-4 is used to select the programming range; 0-5V (with the switch closed) or 0-10V (with the switch open). For current programming the internal 1mA current source is replaced with a 0-1mA external source to provide the required 0-5V reference signal. For resistive programming switch SW1-8 is opened to disconnect the front panel adjusting potentiometer and the internal 1mA current source is connected to the external 0-5k ohm potentiometer to provide the 0-5V reference.

#### Remote ON/OFF Circuit

A TTL high signal applied between pins 14 (positive) and 2 (negative) of connector J3 activates opto coupler U1 which turns on transistor switch Q3 by pulling its base low. This applies 12V through diode CR11 to the shutdown pin of the PWM thereby shutting down the power supply output. A 12-250Vac or 12-130Vdc signal applied between pins 1 (positive) and 2 (negative) of connector J3 will also activate U1 and disable the power supply output. Diode CR14 rectifies ac inputs while resistors R37 and R38 limit the current through the opto coupler. Diode CR13 provides protection against reverse polarity TTL signals.

#### Remote Programming of the Output Voltage

During remote programming of the output voltage with an external voltage source (0-5V or 0-10V) the local operation jumpers connecting J3 pins 8 to 9 and 20 to 21 are removed and the external source is connected between pins 9 (positive) and 12 (negative) of connector J3. When using a 0-5V source the reference at pin 2 of U5 (voltage control op amp) is provided directly by the external source. When using a 0-10V source switch SW1-3 is closed to provide the necessary voltage divider to scale the reference voltage to 0-5V.

For remote programming with an external 5k resistance the jumpers connecting J3 pins 8 to 9 and 20 to 21 are removed, pins 9 and 21 are connected to the counterclockwise end of the external 5k ohm potentiometer and the tap and clockwise end are connected to pin 12. The internal 1mA current source at pin 21 develops a 0-5V potential across the potentiometer, depending on the potentiometer setting, which is fed to pin 2 of U5.

During remote programming of the output voltage with an external 0-1mA current source the jumper connecting J3 pins 20 and 21 is removed, the front panel voltage control is set fully clockwise and the external current source is connected between pins 8 (positive) and 12 (return). Varying the current source from 0-1mA causes 0-5V to develop at the reference pin of the voltage control circuit.

The front panel remote programming indicator is controlled by op amp U8-4. Resistors R55 and R56 form a voltage divider with the 6.2V reference which develops a nominal 0.3V at pin 12 (the non-inverting input) of the op amp. During local operation current flow through diode CR15 and the front panel voltage control provides a higher voltage at pin 13 (the inverting input) keeping U8-4 output low. During remote programming there is no current flow through diode CR15 and the output of U8-4 goes high illuminating the remote programming indicator through diode CR4, resistor R13 and pin 13 of connector J1. The high signal is also provided at pin 4 of connector J3 for remote monitoring purposes.

### 3.1.3 Detailed Circuit Description (continued)

#### Remote Programming of the Output Current Limit

During remote programming of the output current limit with an external voltage source the local operation jumpers connecting J3 pins 10 to 11 and 22 to 23 are removed and the external source (0-5V, 0-10V, or 0-100mV) is connected between pins 10 (positive) and 12 (negative). When using a 0-5V source the reference at pin 2 of U6 (current control op amp) is provided directly by the external source. Use of a 0-10V source requires that switch SW1-1 be closed to provide the necessary voltage divider to limit the control circuit reference voltage to 0-5V. For 0-100mV programming switch SW1-1 is opened and SW1-2 is closed so that the feedback voltage is scaled to 0-100mV.

For remote programming with an external 5k resistance the jumpers connecting J3 pins 10 to 11 and 22 to 23 are removed, pins 10 and 22 are connected to the counterclockwise end of the external 5k ohm potentiometer and the tap and clockwise end are connected to pin 12. The internal 1mA current source at pin 22 develops a 0-5V potential across the potentiometer, depending on the potentiometer setting, which is fed to pin 6 of U4-2.

During remote programming of the output voltage with an external 0-1mA current source the jumper connecting J3 pins 22 and 23 is removed, the front panel voltage control is set fully clockwise and the external current source is connected between pins 11 (positive) and 12 (return). Varying the current source from 0-1mA causes 0-5V to develop at the reference pin of the current control circuit.

The front panel remote programming indicator is controlled by op amp U8-1 during remote current limit programming. Operation is the same as that described above in the remote voltage programming section except that diode CR15 is replaced by diode CR16.

## 3.2 Meter Circuit (A1 Assembly)

The A1 assembly is comprised of the voltmeter and ammeter displays, the output voltage and current limit controls, the local operation OVP adjusting potentiometer and the indicator leds. The operation of the voltage and current controls, the OVP potentiometer and the indicator leds is covered in the A2 description in Section 3.1. Refer to the schematic diagram in Section 5 (Figure 5-1) for the following discussion.

### 3.2.1 Voltmeter

U2 is a 3 1/2 digit analog to digital converter which converts the analog input from the A2 board voltage control circuit to a digital display on seven segment displays DS5-DS8 (maximum display is 1999). The 6.2V reference from pin 5 of connector J1 is divided down by resistors R16 and R17 and potentiometer R18 to provide the reference for the converter. The analog input from the voltage control circuit (via pin 6 of connector J1) is filtered by resistor R9 and capacitor C14 before it is input to pin 31 of the converter. Capacitor C12 and resistor R7 set the conversion frequency to approximately 3 times per second. Resistors R8, R11 and R12 are used to select the appropriate decimal point position depending on the model of the power supply.

### 3.2.2 Current Meter

The current meter circuit operates in the same manner as the voltage meter circuit with U1 performing the conversion for display on DS1-DS4. Capacitors C4 and C6 provide additional filtering on the meter analog input. Resistors R2, R5 and R6 are used to select the appropriate decimal point.

## SECTION 4. MAINTENANCE, TROUBLESHOOTING, AND CALIBRATION

### 4.1 General

This section provides periodic maintenance, calibration and troubleshooting information.

### 4.2 Periodic Service

No routine service except for periodic cleaning is required. Whenever a unit is removed from service, it should be cleaned, using naphtha or an equivalent solvent on the metal surfaces and a weak solution of soap and water for the front panel. Low pressure compressed air may be used to blow dust from in and around components on the printed circuit boards.

### 4.3 Troubleshooting

Units requiring repair during their warranty period should be returned to Sorensen for service. Unauthorized repairs performed by anyone other than Sorensen Company during the warranty period may void the warranty. Any questions regarding repair should be directed to the Service Department, Sorensen Company.

**CAUTION!:** **POTENTIALLY LETHAL VOLTAGES EXIST IN THE POWER CIRCUIT AND THE OUTPUT OF HIGH VOLTAGE MODELS.** Filter capacitors store potentially dangerous energy for some time after power is removed. Repairs should be attempted by experienced technical personnel only. Be sure to isolate the power supply from the input line with an isolation transformer when using grounded test equipment such as an oscilloscope in the power circuit.

#### 4.3.1 Preliminary Checks

If the power supply displays any unusual or erratic operation shut the power supply off immediately and disconnect it from the AC power source. Check all load, programming and monitoring connections and circuits. Check the AC input for correct voltage and frequency. Correct any problems found and retest the system. If no problems are found or the unit fails to operate correctly upon retesting proceed with internal troubleshooting as described below.

#### 4.3.2 Internal Troubleshooting

After reading the cautions in Section 4.3 and completing the preliminary checks described in Section 4.3.1, remove the cover and proceed with internal troubleshooting using the information contained in Figure 4-1 as a guide to isolate the problem to a specific area of the circuit. Refer to the schematics in Section 5 and the theory of operation in Section 3 for additional information.

### 4.4 Calibration

Calibration on both the A1 and A2 assemblies is accomplished using multiturn trim pots. The list below gives the circuit designation of the trimpot and the parameter affected by that part. Calibration is performed at the factory during testing and recalibration should be unnecessary unless major repairs are required. Calibration should be done with the cover on through the access holes in the cover. See Figure 4-2 below.

CIRCUIT DESIGNATION	ASSEMBLY	PARAMETER AFFECTED
R7	A2	Output Current Monitor Calibration
R46	A2	Output Current Monitor Offset
R47	A2	Current Control Circuit Offset
R48	A2	Output Current Range
R52	A2	Voltage Control Circuit Offset
R53	A2	Output Voltage Range
R18	A1	Front Panel Voltmeter Calibration
R15	A1	Front Panel Ammeter Calibration

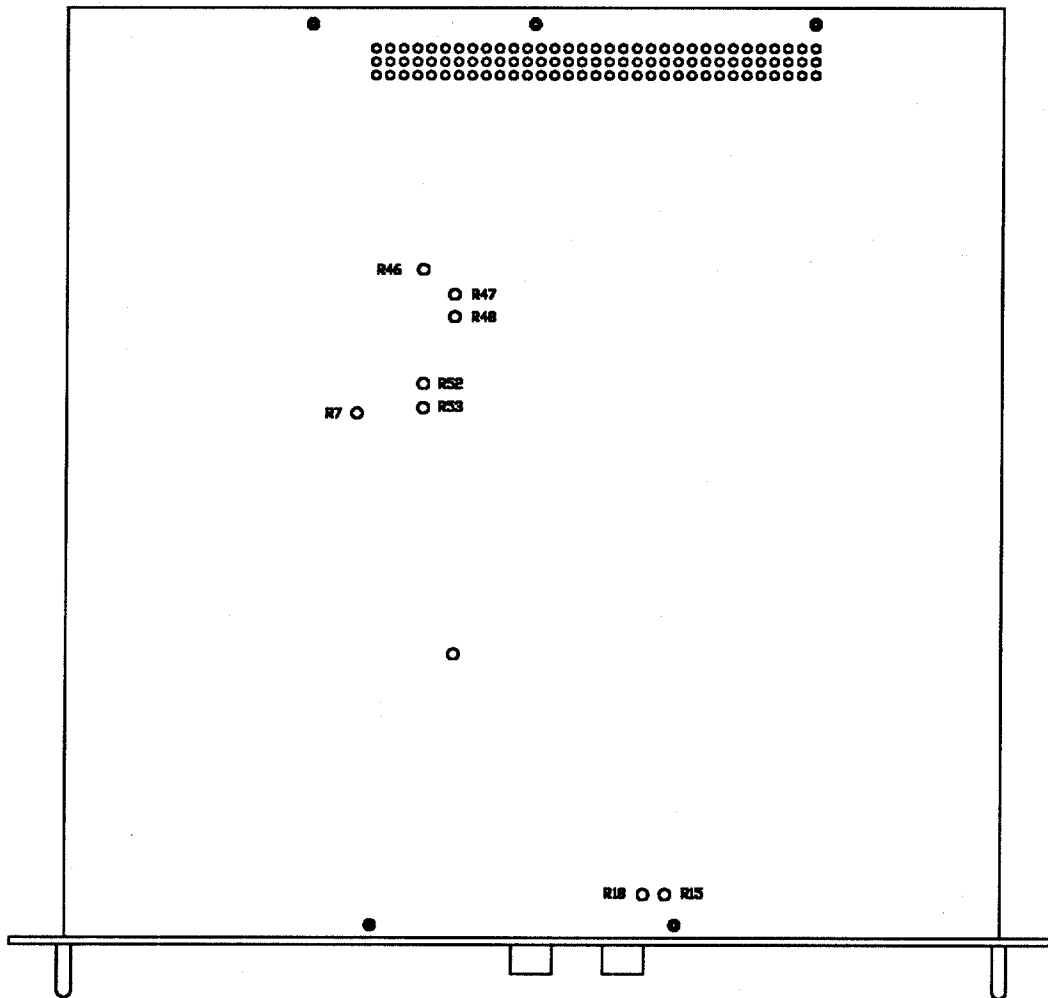


Figure 4-2

## SECTION 5. SCHEMATICS AND PARTS LISTS

### 5.1 General

This section provides schematic drawings and parts lists for the following assemblies:

- A1 - Front panel assembly
- A2 - Power assembly
- - Chassis and cover

Most assemblies consist of parts common to all series models as well as parts which are model-specific, or differential.

### 5.2 Parts Ordering

Do not substitute parts without first checking with Sorensen's Repair Department. Parts may be ordered from the factory with the information in the following sections. Order parts from:

SORENSEN  
Repair Department  
Division of Elgar  
6255 Ferris Square  
San Diego, CA 92121-2294  
1-800-458-4258  
Tel: (858) 450-0085  
Fax: (858) 677-9453  
[www.sorensen.com](http://www.sorensen.com)

When ordering parts please include the model number and serial number of the unit with your order.

### 5.3 A1 Front Panel Assembly Replacement Parts

#### A1 Assembly Parts

Circuit Designation	Description	Sorenson Part number
C1,9	10mF 25V 20% 2.5mm Tantalum capacitor	-
C2,12	100pF 100V Z5F 10% 5.0mm Ceramic capacitor	-
C3-7,10,11,13-15, 17,18-22	0.33mF 50V Z5U -20%/+80% 5.0mm Ceramic capacitor	-
C8,16	0.1mF 100V MF 10% 10mm RAD	-
CB1	250Vac 20A Circuit Breaker	-
CR1,7,8	T-1 $\frac{3}{4}$ 3.0mcd Red Round LED	-
CR2,6	T-1 $\frac{3}{4}$ 3.0mcd Green Round LED	-
CR3,5	Red Rectangular LED 2.5x5mm	-
CR4	Green Rectangular LED 2.5x5mm	-
DS1,2,3,4,5,6,7,8	Orange 7 segment display (DS4 and DS8 not installed on some models)	-
P1	20 Pin MTA Pin header 0.1" Spacing	-
P2	9 Pin MTA Pin header 0.1" Spacing	-
R1,3,7,9	100k $\Omega$ 1% $\frac{1}{4}$ W MF	-
R2,5,6,8,11	365 $\Omega$ 1% $\frac{1}{4}$ W Decimal point resistors Not all installed see Figure 5-1 for list	-
R4	47.5k $\Omega$ 1% $\frac{1}{4}$ W (8,20,40,60,80V Models only)	-
R4	470k 5% $\frac{1}{4}$ W CF (150,300,600V Models only)	-
R10	475k 1% $\frac{1}{4}$ W MF	-
R13	100 $\Omega$ 1% $\frac{1}{4}$ W MF (8,20,40,60,80,150,600V Models only)	-
R13	1.00k $\Omega$ $\frac{1}{4}$ W 1% MF (300V Models)	-
R13A	Empty position	-
R14	34.8k $\Omega$ $\frac{1}{4}$ W 1% MF (8V Models)	-
R14	2.37k $\Omega$ $\frac{1}{4}$ W 1% (300V Models)	-
R14	6.19k $\Omega$ $\frac{1}{4}$ W 1% (20,40,60,80,150,600V Models)	-
R15,18	500 $\Omega$ 25 Turn 10% Cermet Pot Type Z	-
R16	750 $\Omega$ $\frac{1}{4}$ W 1% MF	-
R17	4.99k $\Omega$ 1% $\frac{1}{4}$ W MF	-

**A1 Assembly Parts (continued)**

<b>Circuit Designation</b>	<b>Description</b>	<b>Sorensen Part number</b>
R19,20	5k 10T 2W 5% Panel Mount ¼" Shaft Potentiometer	-
R21,21A	5k 20 Turn 10% Cermet Pot Type Y Only one installed	-
R22	200Ω 5% ¼W CF	-
U1,2	3.5 Digit A/D LED driver	-
-	A1 PCB Rev C	-
For A1 PCB installation	6-32 x 3/16" Nylon Allen Socket head screw	-
-	Front panel sheet metal 1.71" x 19"	-
For mounting front panel to chassis and cover	#4 Angle bracket	-
-	Handle	-
For handle installation	#8-32 x ½" flat head screw	-
-	Front panel control knobs	-
For mounting Leds CR1-8	0.25"x 0.2"insulating standoff	-
For mounting U1 and U2	Molex IC Pin sockets	-
For mounting DS1,2,3,5,6,7,8	40 Pin 0.1" x 0.6" IC socket	-
-	16A DPST Rocker switch	-
-	Front panel label DCS 8-125	-
-	Front panel label DCS 20-50	-
-	Front panel label DCS 33-33	-
-	Front panel label DCS 40-25	-
-	Front panel label DCS 60-18	-
-	Front panel label DCS 80-13	-
-	Front panel label DCS 150-7	-
-	Front panel label DCS 300-3.5	-
-	Front panel label DCS 600-1.7	-



## 5.4 A2 Power Assembly Replacement Parts

### 5.4.1 A2 Common Parts

Circuit Designation	Description	Sorensen Part number
C1,4,70,73	1 $\mu$ F 250Vac 10% 27.5mm Metal film X capacitor	-
C2,3,5,6	10nF 250Vac 10% 15mm Metal film Y capacitor	-
C7,11	470 $\mu$ F 35V 20% 5mm 13 x 25mm Electrolytic capacitor	-
C8,16-18,18A,19,20,20A,23, 23A,24-26,29-31,31A,32,33, 35,35B,36-39,41,56,56A,57-59, 65,67,68,74,76,77,80	0.33 $\mu$ F 50V Z5U -20%/+80% 5mm Ceramic capacitor	-
C9	2200 $\mu$ F 16V 20% 5mm 13 x 25mm Electrolytic capacitor	-
C10	1000 $\mu$ F 35V 20% 5mm Electrolytic capacitor	-
C12-15,66	10 $\mu$ F 50V 2.0mm Electrolytic capacitor	-
C21,22,62	10nF 100V X7R 10% 5mm Ceramic capacitor	-
C28,30A,34,40,42	100pF 100V Z5F 10% 5mm Ceramic capacitor	-
C35A,63,63A	1nF 100V X7R 10% 5mm Ceramic capacitor	-
C43,44	10 $\mu$ F 25V 20% 2.5mm Tantalum capacitor	-
C46	10nF 1kV Z5U -20%/+80% 10mm Ceramic capacitor	-
C47	10 $\mu$ F 63V 2.5mm Electrolytic capacitor	-
C69	330pF 1KV Z5F 10% 6.5mm Ceramic capacitor	-
C61	220pF 100V X7R 10% 5mm Ceramic capacitor	-
C71,C72	1800 $\mu$ F 200Vdc 1.375" x 5.125" 12.5mm Computer grade capacitor	-
For mounting C71,72	Ring tongue #10 Stud, 10-12AWG Cable tie 0.14" X 11"	- -
C78,79	50 $\mu$ F 1kV Z5U -20%/+80% 10mm Ceramic disk capacitor	-
CR1,17	1N825A 6.2V 400mW VZ DO35 Zener diode	-
CR1A,1B	Jumper #24 Bus Wire	-
CR2-13,3A,15,16,17A,18, 19,21,26A,24,25,25A, 27-30,32-34,38,39	1N4148 75V 300mA Diode	-

## 5.4.1 A2 Common Parts (continued)

Circuit Designation	Description	Sorensen Part number
CR14,36,37,40,41,43	1N4004 400V 1A Diode	-
CR20	1N5242B 12V 5% 0.5W Zener diode	-
CR22,23	1N753A 6.2V Zener diode	-
CR23A	1N4731A 4.3V 1W Zener diode	-
CR27A	1N4372A 3.0V 400mW Zener Diode	-
CR31	1N5355B 18V 5W Zener diode	-
CR35	800V 35A Bridge rectifier Chassis mounted	-
CR42	200V 1A 4 pin DIP Bridge rectifier	-
CR44	1N754 6.8V 500mW Zener diode	-
DS1	Neon bulb 65Vac 40mA	-
F1	20A 250V 3AG fuse (slow)	-
F2	3/8A 250V 3AG fuse (slow)	-
F3	7A 250V 5AG fuse (fast)	-
For F1,F2	3AG Fuse clip BeCu only	-
For F3	5AG Fuse clip	-
J1	20 Pin MTA Connector (Female) 0.1" with 7.5" Ribbon cable	-
J2	20 Pin 0.1" MTA male header	-
J3	25 Pin female PCB mount DSUB	-
K1	T90 Relay 250V 30A SPST,12V Coil	-
For K1	Relay dust cover	-
L1,L2	1mH 20A Common mode inductor	-
L4	ETD34,N27 Ferrite core (2 Halves) Gapped in 8 and 20V models	-
L5	Sense line common mode inductor	-
P1	4 Pin Mate-N-Lock PCB header	-
P2	2 Pin Mate-N-Lock PCB header	-
Q1,2,3,4	XX-2907A PB 60V 0.5mA 400mW TO92	-
Q2A	2N7000 NM 60V 500mA TO226AA	-
Q5,5A	PN-2222A 40V 500mA 500mW TO92	-
Q6-12	MTD5N05-1 50V 5A 0.4 Ohm DPAK	-
Q13,16	450V 13A 0.55 Ohm NFET TO-3	-
For mounting Q13,16	Insulating standoff 0.25" x 0.2"	-
-	TO3 Insulating washers	-
-	Heatsink for Q13,16	-

## 5.4.1 A2 Common Parts (continued)

Circuit Designation	Description	Sorensen Part number
R1,3,49,51,56,75,77,96,96A	4.99k $\Omega$ 1% 1/4W MF	-
R2,11-15,17,40,45,82,123	750 $\Omega$ 1% 1/4W	-
R4,6,19,21,25,32,39,61, 74,76,79,97,102	1k $\Omega$ 1% 1/4W MF	-
R5,8,8A,20,23,24,28,57,58,60, 62,65,69,80,81,81A,103,105	10k $\Omega$ 1% 1/4W MF	-
R7,46-48,52	10k $\Omega$ 20T 10% Cermet trimpot Y Type	-
R7A,63,66,67	20k 1% 1/4W MF	-
R8B,8C,12A	Empty Position	-
R9,10,55	100k $\Omega$ 1% 1/4W MF	-
R16	121 $\Omega$ 1% 1/4W CF	-
R18,30,54,119,120,125	1M $\Omega$ 1% 1/4W	-
R26	2k $\Omega$ 1% 1/4W MF	-
R29,94	49.9k $\Omega$ 1% 1/4W MF	-
R31,41,43,84	3.01k $\Omega$ 1% 1/4W MF	-
R33	20M $\Omega$ 5% 1/4W CF	-
R34	787k 1% 1/4W MF	-
R35	200k $\Omega$ 1% 1/4W MF	-
R36,50	100 $\Omega$ 1% 1/4W MF	-
R37	1k $\Omega$ 5% 1/2W CF	-
R38	5.1k $\Omega$ 5% 5W WW	-
R42	3.24k $\Omega$ 1% 1/4W MF	-
R44	10 $\Omega$ 1% 1/4W MF	-
R53	5k $\Omega$ 20T 10% Cermet trimpot Y Type	-
R57A	365k $\Omega$ 1% 1/4W	-
R59	8.66k 1% 1/4W MF	-
R83,124	243 $\Omega$ 1% 1/4W MF	-
R87,88	100 $\Omega$ 5% 5W WW	-
R95A	475 $\Omega$ 1% 1/4W MF	-
R98	10 $\Omega$ 5% 1/2W CF	-
R99,101	47.5 $\Omega$ 1% 1/4W MF	-
R103A	16 $\Omega$ 5% 1W MF	-
R104,106	100 $\Omega$ 5% 1/2W CF	-
R111-113	470 $\Omega$ 5% 5W WW Low inductance	-
R114,115	10k $\Omega$ 5% 5W WW	-
R116	39 $\Omega$ 5% 5W WW	-
R117,118	301k $\Omega$ 1% 1/4W	-

## 5.4.1 A2 Common Parts (continued)

Circuit Designation	Description	Sorensen Part number
RT1	Temp. Sensor 100k @ 25°C TO92	-
SW1	8PST DIP Switch	-
T2	Bridge drive transformer 1:1	-
T3	Current sense transformer	-
T4	Auxiliary transformer 110/220 16CT 12VA	-
TB1	AC input barrier strip	-
U1	4N37 Opto-coupler 6 pin DIP	-
U2	LF353 Dual op amp 8 pin DIP	-
U3	LM358 Dual op amp 8 pin DIP	-
U4,8	LF347N Quad op amp 14 pin DIP	-
U5	LF351 Op amp 8 pin DIP	-
U6	UC3846N PWM 16 pin DIP	-
U7	4066B Quad analog gate 14 pin DIP	-
U9	LM337 3 Terminal regulator TO-220	-
U10,11	LM2940CT Low saturation 3 Terminal regulator TO-220	-
-	TO220 Heatsink for U10,11	-
-	8 pin DIL IC socket for U2,U3,U5	-
-	14 pin DIL IC socket for U4,U7,U8	-
-	16 pin DIL IC socket for U6,SW1	-
-	A2 PCB Rev F	-
-	Air dam (10 mil Nomex)	-

## 5.4.2 A2 Assembly Differential Parts

Model DCS 8-125 Differential Parts

Circuit Designation	Description	Sorensen Part number
C27,54	10nF 100V X7R 10% 5mm Ceramic capacitor	-
C51-53	22000 $\mu$ F 10V 10mm 30 x 35mm Snap in electrolytic capacitor	-
C55	22nF 100V X7R 10% 5mm Ceramic capacitor	-
C60,64	330pF 100V X7R 10% 5mm Ceramic capacitor	-
C301	10nF 1kV Z5U -20%/+80% 10mm Ceramic disk capacitor	-
C302	1nF 1kV Z5U -20%/+80% 6.5mm Ceramic disk capacitor	-
C306	50nF 1kV Z5U -20%/+80% 10mm Ceramic disk capacitor	-
CR301/CR302	MBR 30045 300A 45V Dual Schottky rectifier	-
L3	Output inductor 12.5 $\mu$ H 125A	-
Q17	IRF640 200V 18A NFET TO220	-
R22	4.53k $\Omega$ 1% 1/4W MF	-
R27	475 $\Omega$ 1% 1/4W MF	-
R64,107-110	10 $\Omega$ 1% 1/4W MF	-
R68	90.9k $\Omega$ 1% 1/4W MF	-
R70	47.5k $\Omega$ 1% 1/4W	-
R71,73	44.2k $\Omega$ 1% 1/4W MF	-
R72	1k $\Omega$ 1% 1/4W MF	-
R85	100 $\Omega$ 1% 1/4W MF	-
R86	Jumper 0.5" #24 Bus wire	-
R89	13.3k $\Omega$ 1% 1/4W MF	-
R90	20 $\Omega$ 5% 5W WW	-
R91	#12 Manganin wire	-
R93	0.40 $\Omega$ 5% 5W WW	-
R95	3.32 $\Omega$ 1% 1/4W	-
R100	8.66k $\Omega$ 1% 1/4W MF	-
R107A-110A	Jumper 0.5" #24 Bus wire	-
R301,303	1 $\Omega$ 5% 5W 100PPM/C Non-inductive	-
T1	1KVA 100kHz 8V 125A Transformer	-
-	Negative conductor bus	-
-	Positive conductor bus	-
-	Rectifier output bus	-
-	Shunt bracket	-

**Model DCS 8-125 Differential Parts (continued)**

<b>Circuit Designation</b>	<b>Description</b>	<b>Sorensen Part number</b>
-	Output bus bar (negative)	-
-	Output bus bar (positive)	-
-	Differential heatsink for 8-300V models	-
For mounting C301, C302, C306, R301, R302	0.25" Solder lug	-
For mounting C306	#6 Solder lug	-
For mounting snubber parts	#6-32 Insulated solder turret	-
For mounting CR301, 302	1/4-20 x 3/8" Brass screw	-
	1/4-20 x 1/2" Brass screw	-
<b>Output bus bar PCB parts</b>		
-	Output bus bar PCB Rev C	-
For mounting bus bars to A2 pcb	#6-32 x 5/16" Philips Pan Zinc	-
C401, 405	50nF 1kV Z5U -20%/+80% 10mm Ceramic disk capacitor	-
C403	470µF 16V 20% 5mm Electrolytic capacitor	-
C406	2.2µF 63V 5% 15mm Metallized polyester capacitor	-

## 5.4.2 A2 Assembly Differential Parts (continued)

Model DCS 20-50 Differential Parts

Circuit Designation	Description	Sorenson Part number
C27,54	10nF 100V X7R 10% 5mm Ceramic capacitor	-
C51,52,53	10,000 $\mu$ F 25V 10mm 35 x 30mm Snap in electrolytic capacitor	-
C55,64	330pF 100V X7R 10% 5mm Ceramic capacitor	-
C301	1nF 1kV 7XR 10% 6.5mm Ceramic capacitor	-
C302	4.7nF 400V 10% 10mm Metallized polyester film	-
C305,306	50nF 1kV Z5U -20%/+80% 10mm Ceramic capacitor	-
For mounting C305,306	#6 Solder lug	-
	#6 Nylon Shoulder Washer	-
For solder turret & C305,306	#6-32 x 5/8" PPM Zinc	-
CR49-52	Diode Empty Position	-
CR301,302	100A 150V Dual UFR Power Tap Rectifier	-
For mounting CR301,302	1/4-20 X 3/8" Brass screw	-
	1/4-20 x 1/2" Brass screw	-
L3	Output inductor 25 $\mu$ H 50A	-
Q17	IRF 640 NM 200V 18A NFET TO-220	-
R22	21k $\Omega$ 1% 1/4W MF	-
R27	475 $\Omega$ 1% 1/4W MF	-
R64,107-110	10 $\Omega$ 1% 1/4W MF	-
R68	90.9k $\Omega$ 1% 1/4W CF	-
R70	100k $\Omega$ 1% 1/4W MF	-
R71,73	44.2k $\Omega$ 1% 1/4W MF	-
R72	1k $\Omega$ 1% 1/4W MF	-
R85	73.2k $\Omega$ 1% 1/4W MF	-
R86	Jumper 0.5" #24 Bus wire	-
R89	47.5k $\Omega$ 1% 1/4W MF	-
R90	100 $\Omega$ 5% 5W WW	-
R91	#12 Manganin wire	-
R93	0.40 $\Omega$ 5% 5W WW	-
R95	3.32 $\Omega$ 1% 1/4W	-
R100	8.66k $\Omega$ 1% 1/4W MF	-
R107A-110A	Jumper 0.5" #24 Bus wire	-
R301,303,304	33 $\Omega$ 5% 3W MF	-
T1	1KVA 100kHz 20V 50A Transformer	-

**Model DCS 20-50 Differential Parts (continued)**

<b>Circuit Designation</b>	<b>Description</b>	<b>Sorensen Part number</b>
-	Output bus bar (negative)	-
-	Output bus bar (positive)	-
-	Negative conductor bus	-
-	Positive conductor bus	-
-	Rectifier output bus	-
-	Shunt bracket	-
For shunt bracket	#6-32 x 1/4" Kep Nut	-
	#6-32 x 5/16" Philips Pan Zinc	-
For mounting snubber parts	#6-32 Insulated solder turret	-
For mounting solder turret	#6-32 x 1/2" PPM Zinc	-
-	Differential heatsink for 8-300V models	-
<b>Output bus bar PCB parts</b>		
-	Output bus bar PCB Rev C	-
For mounting bus bars to A2 pcb	#6-32 x 5/16" Philips Pan Zinc	-
C401,405	50nF 1kV Z5U -20%/+80% 10mm Ceramic capacitor	-
C403	100µF 63V 20% 5mm Electrolytic capacitor	-
C406	2.2µF 63V 5% 15mm Metallized polyester film capacitor	-
C402,404	10nF 1kV Z5U -20%/+80% 10mm Ceramic capacitor	-



## 5.4.2 A2 Assembly Differential Parts (continued)

Model DCS 33-33 Differential Parts

Circuit Designation	Description	Sorensen Part number
C27	10nF 100V X7R 10% 5mm Ceramic capacitor	-
C45	100pF 100V Z5F 10% 5mm Ceramic capacitor	-
C51,52,53	3300 $\mu$ F 63V 30 x 35mm Snap in electrolytic capacitor	-
C54	4.7nF 100V X7R 10% 5mm Ceramic capacitor	-
C55,64,68	330pF 100V X7R 10% 5mm Ceramic capacitor	-
CR49-52	Diode Empty Position	-
L3	Output inductor 45 $\mu$ H 33A	-
Q17	IRF 640 NM 200V 18A NFET TO-220	-
R22	12.7k $\Omega$ 1% 1/4W MF	-
R27	475 $\Omega$ 1% 1/4W MF	-
R64,107-110	10 $\Omega$ 1% 1/4W MF	-
R68	90.9k $\Omega$ 1% 1/4W MF	-
R70	100k $\Omega$ 1% 1/4W MF	-
R71,73	44.2k $\Omega$ 1% 1/4W MF	-
R72	1k $\Omega$ 1% 1/4W MF	-
R85,89	80.6k $\Omega$ 1% 1/4W MF	-
R86	Jumper 0.5" #24 Bus wire	-
R90	390 $\Omega$ 5% 5W WW	-
R91	#12 Manganin wire	-
R93	1 $\Omega$ 5% 5W WW	-
R95	3.32 $\Omega$ 1% 1/4W	-
R100	8.66k $\Omega$ 1% 1/4W MF	-
R107A-110A	Jumper 0.5" #24 Bus wire	-
T1	1KVA 100kHz 33V 33A Transformer	-
-	Differential heatsink for 8-300V models	-
-	Output bus bar (negative)	-
-	Output bus bar (positive)	-
-	Negative conductor bus	-
-	Positive conductor bus	-
-	Shunt bracket	-
For shunt bracket	#6-32 x 1/4" Kep Nut	-
	#6-32 x 5/16" Philips Pan Zinc	-

**Model DCS 33-33 Differential Parts (continued)**

<b>Circuit Designation</b>	<b>Description</b>	<b>Sorensen Part number</b>
<b>Rectifier PCB parts</b>		
-	Rectifier/snubber PCB Rev D	-
For rectifier PCB mounting	9 mil Thermally conductive insulating sheet	-
C301	1nF 1kV X7R 10% 6.5mm Ceramic capacitor	-
C303,304	330pF 1kV Z5F 10% 6.5mm Ceramic capacitor	-
CR301,302	500V 30A Dual UFR TO218 UFAST Rectifier	-
R301-306	33W 5% 3W MF	-
<b>Output bus bar PCB parts</b>		
-	Output bus bar PCB Rev C	-
For mounting bus bars to A2 pcb	#6-32 x 5/16" Philips Pan Zinc	-
C401,405	50nF 1kV Z5U -20%/+80% 10mm Ceramic capacitor	-
C403	100 $\mu$ F 63V 20% 5mm Electrolytic capacitor	-
C406	1 $\mu$ F 250V 10% 15mm Radial capacitor	-

## 5.4.2 A2 Assembly Differential Parts (continued)

Model DCS 40-25 Differential Parts

Circuit Designation	Description	Sorensen Part number
C27	10nF 100V X7R 10% 5mm Ceramic capacitor	-
C45	470pF 100V X7R 10% 5mm Ceramic capacitor	-
C51,52,53	3300 $\mu$ F 63V 30 x 35mm Snap in electrolytic capacitor	-
C54	4.7nF 100V X7R 10% 5mm Ceramic capacitor	-
C55,60	330pF 100V X7R 10% 5mm Ceramic capacitor	-
C64	1nF 100V X7R 10% 5mm Ceramic capacitor	-
CR49-52	Diode Empty Position	-
L3	Output inductor 100 $\mu$ H 25A	-
Q17	IRF640 NM 200V 18A NFET TO-220	-
R22	10k $\Omega$ 1% $\frac{1}{4}$ MF	-
R27	475 $\Omega$ 1% $\frac{1}{4}$ W MF	-
R64,107-110	10 $\Omega$ 1% $\frac{1}{4}$ W MF	-
R68	90.9k $\Omega$ 1% $\frac{1}{4}$ W MF	-
R70	200k $\Omega$ 1% $\frac{1}{4}$ W MF	-
R71,73	44.2k $\Omega$ 1% $\frac{1}{4}$ W MF	-
R72	1k $\Omega$ 1% $\frac{1}{4}$ W MF	-
R85	84.5k $\Omega$ 1% $\frac{1}{4}$ W MF	-
R86	Jumper 0.5" #24 Bus wire	-
R89	100k $\Omega$ 1% $\frac{1}{4}$ W MF	-
R90	390 $\Omega$ 5% 5W WW	-
R91	#12 Manganin wire	-
R93	1 $\Omega$ 5% 5W WW	-
R95	3.32 $\Omega$ 1% $\frac{1}{4}$ W	-
R100	8.66k $\Omega$ 1% $\frac{1}{4}$ W MF	-
R107A-110A	Jumper 0.5" #24 Bus wire	-
T1	1KVA 100kHz 40V 25A Transformer	-
-	Differential heatsink for 8-300V models	-
-	Output bus bar (negative)	-
-	Output bus bar (positive)	-

**Model DCS 40-25 Differential Parts (continued)**

<b>Circuit Designation</b>	<b>Description</b>	<b>Sorensen Part number</b>
<b>Rectifier PCB parts</b>		
-	Rectifier/snubber PCB Rev D	-
For rectifier PCB mounting	9 mil Thermally conductive insulating sheet	-
C301	1nF 1kV X7R 10% 6.5mm Ceramic capacitor	-
CR301,302	500V 30A Dual UFAST Rectifier TO218	-
R301-304	68Ω 5% 3W MF	-
<b>Output bus bar PCB parts</b>		
-	Output bus bar PCB Rev C	-
For mounting bus bars to A2 pcb	#6-32 x 5/8" PPM CAD	-
C401,405	50nF 1kV Z5U -20%/+80% 10mm Ceramic capacitor	-
C403	100μF 63V 20% 5mm Electrolytic capacitor	-
C406	1μF 250V 10% 15mm Radial capacitor	-

## 5.4.2 A2 Assembly Differential Parts (continued)

Model DCS 60-18 Differential Parts

Circuit Designation	Description	Sorenson Part number
C27	10nF 100V X7R 10% 5mm Ceramic capacitor	-
C45	1nF 100V X7R 10% 5mm Ceramic capacitor	-
C51,52,53	3300 $\mu$ F 63V 30 x 35mm Snap in electrolytic capacitor	-
C54	4.7nF100V X7R 10% 5mm Ceramic capacitor	-
C55,60,64	330pF 100V X7R 10% 5mm Ceramic capacitor	-
CR49-52	Diode Empty Position	-
L3	Output inductor 193 $\mu$ H 18A	-
Q17	IRF640 NM 200V 18A NFET TO-220	-
R22	6.34k $\Omega$ 1% 1/4W MF	-
R27	475 $\Omega$ 1% 1/4W MF	-
R64,107-110	10 $\Omega$ 1% 1/4W MF	-
R68	90.9k $\Omega$ 1% 1/4W MF	-
R70	100k $\Omega$ 1% 1/4W MF	-
R71,73	44.2k $\Omega$ 1% 1/4W MF	-
R72	1k $\Omega$ 1% 1/4W MF	-
R85	88.7k $\Omega$ 1% 1/4W MF	-
R86	Jumper 0.5" #24 Bus wire	-
R89	150k $\Omega$ 1% 1/4W MF	-
R90	910 $\Omega$ 5% 5W WW	-
R91	#12 Manganin wire	-
R93	2 $\Omega$ 5% 5W WW	-
R95	3.32 $\Omega$ 1% 1/4W	-
R100	8.66k $\Omega$ 1% 1/4W MF	-
R107A-110A	Jumper 0.5" #24 Bus wire	-
T1	1KVA 100kHz 60V 18A Transformer	-
-	Differential heatsink for 8-300V models	-
-	Output bus bar (negative)	-
-	Output bus bar (positive)	-

**Model DCS 60-18 Differential Parts (continued)**

<b>Circuit Designation</b>	<b>Description</b>	<b>Sorensen Part number</b>
<b>Rectifier PCB parts</b>		
-	Rectifier/snubber PCB Rev D	-
For rectifier PCB mounting	9 mil Thermally conductive insulating sheet	-
C301,303,304	330pF 1KV Z5F 10% 6.5mm Ceramic capacitor	-
CR301,302	500V 30A Dual UFAST Rectifier	-
-	#6-32 x 5/8" PPM Zinc	-
R301-305,305A, 306,306A	330W 5% 3W MF	-
<b>Output bus bar PCB parts</b>		
-	Output bus bar PCB Rev C	-
For mounting bus bars to A2 pcb	#6-32 x 5/8" PPM CAD	-
C401,405	50nF 1kV Z5U -20%/+80% 10mm Ceramic capacitor	-
C403	100μF 63V 20% 5mm Electrolytic capacitor	-
C406	1μF 250V 10% 15mm Metal film capacitor	-

## 5.4.2 A2 Assembly Differential Parts (continued)

Model DCS 80-13 Differential Parts

Circuit Designation	Description	Sorensen Part number
C27	10nF 100V X7R 10% 5mm Ceramic capacitor	-
C45	1nF 100V X7R 10% 5mm Ceramic capacitor	-
C51,52,53	1000 $\mu$ F 100V 30x35mm 10mm Snap in electrolytic capacitor	-
C54	2.2nF 100V X7R 10% 5mm Ceramic capacitor	-
C55,60,64	330pF 100V X7R 10% 5mm Ceramic capacitor	-
CR49-52	Diode Empty Position	-
L3	Output inductor 370 $\mu$ H 13A	-
Q17	IRF640 NM 200V 18A NFET TO220	-
R22	4.53k $\Omega$ 1% 1/4W MF	-
R27	475 $\Omega$ 1% 1/4W MF	-
R68	90.9k $\Omega$ 1% 1/4W MF	-
R70	200k $\Omega$ 1% 1/4W MF	-
R71,73	44.2k $\Omega$ 1% 1/4W MF	-
R72	1k $\Omega$ 1% 1/4W MF	-
R86	Jumper 0.5" #24 Bus wire	-
R89	205k $\Omega$ 1% 1/4W MF	-
R90	1.6k $\Omega$ 5% 5W WW	-
R91	#12 Manganin wire	-
R93	2 $\Omega$ 5% 5W WW	-
R95	3.32 $\Omega$ 1% 1/4W MF	-
R100	8.66k $\Omega$ 1% 1/W MF	-
R107-110	10 $\Omega$ 1% 1/4W MF	-
R107A-110A	Jumper 0.5" #24 Bus wire	-
T1	1KVA 100kHz 80V 13A Transformer	-
-	Differential heatsink for 8-300V models	-
-	Output bus bar (negative)	-
-	Output bus bar (positive)	-

**Model DCS 80-13 Differential Parts (continued)**

<b>Circuit Designation</b>	<b>Description</b>	<b>Sorensen Part number</b>
<b>Rectifier PCB parts</b>		
-	Rectifier/snubber PCB Rev D	-
For rectifier PCB mounting	9 mil Thermally conductive insulating sheet	-
C301,303,304	220pF 1kV 10% Z5F 6.5mm Ceramic capacitor	-
CR301,302	600V 30A Dual MFAST Rectifier	-
-	#6-32 x 5/8" PPM Zinc	-
R301-R305,305A,306,306A	330Ω 5% 3W MF	-
<b>Output bus bar PCB parts</b>		
-	Output bus bar PCB Rev C	-
For mounting bus bars to A2 pcb	#6-32 x 5/8" PPM CAD	-
C401,405	50nF 1kV Z5U -20%/+80% 10mm Ceramic capacitor	-
C403	47μF 100V 20% 5mm Electrolytic capacitor	-
C406	1μF 250V 10% 15mm Metal film capacitor	-



## 5.4.2 A2 Assembly Differential Parts (continued)

Model DCS 150-7 Differential Parts

Circuit Designation	Description	Sorensen Part number
C27	10nF 100V X7R 10% 5mm Ceramic capacitor	-
C45	1nF 1kV X7R 10% 6.5mm Ceramic disk capacitor	-
C48,49,50,87	50nF 1kV Z5U -20%/+80% 10mm Ceramic disc capacitor	-
C50A	1 $\mu$ F 250V 10% 15mm Radial capacitor	-
C52,53	220 $\mu$ F 350V 35x30mm Snap in electrolytic capacitor	-
C54	4.7nF 100V X7R 10% 5mm Ceramic capacitor	-
C55	2.2nF 100V X7R 10% 5mm Ceramic capacitor	-
C60	330pF 100V X7R 10% 5mm Ceramic radial capacitor	-
C64	1nF 100V X7R 10% 5mm Ceramic capacitor	-
C64A	0.1 $\mu$ F 50V Z5U -20%/+80% 5mm Ceramic capacitor	-
L3	Output inductor 2.1 $\mu$ H 7A	-
Q17	IRF640 200V 18A NFET TO220	-
R22	1.96k $\Omega$ 1% 1/4W MF	-
R27	475 $\Omega$ 1% 1/4W CF	-
R64	4.53k 1% 1/4W	-
R68	16.2k $\Omega$ 1% 1/4W	-
R70	100k $\Omega$ 1% 1/4W MF	-
R71,73	8.87k $\Omega$ 1% 1/4W MF	-
R72	2k $\Omega$ 1% 1/4W MF	-
R85	93.1k $\Omega$ 1% 1/2W MF	-
R86	Empty Position	-
R89	348k $\Omega$ 1% 1/4W MF	-
R90	5.6k $\Omega$ 5% 5W WW	-
R91	0.05 $\Omega$ 1% 5W Non inductive	-
R93	10 $\Omega$ 5% 5W	-
R95	1.82 $\Omega$ 1% 1/4W	-
R100	11.8k $\Omega$ 1% 1/4W MF	-
R107-110	10 $\Omega$ 1% 1/4W MF	-
R107A-110A	#24 Bus Wire	-
T1	1KVA 100kHz 150V 7A Transformer	-
-	Differential heatsink for 8-300V models	-

## 5.4.2 A2 Assembly Differential Parts (continued)

## Model DCS 150-7 Differential Parts

Circuit Designation	Description	Sorensen Part number
<b>Rectifier PCB parts</b>		
-	Rectifier/snubber PCB PC 103R	-
For rectifier PCB mounting	9 mil Thermally conductive insulating sheet	-
C301,303,304	220pF 3kV Z5U 10% 6.5mm Ceramic capacitor	-
C305	50nF 1kV Z5U -20%/+80% 10mm Ceramic capacitor	-
CR301,302	DSE130-10A UR 30A 1kV 50nS TO247AD	-
R301-304	1k 5% 3W MF	-
For mounting 301-304	Stiffener plate Nomex insulator	-
R305,305A,306,306A	330Ω 5% 3W MF Low inductance	-
For C305 mounting	#6-32 x 5/8" PPM Zinc #6 Nylon Shoulder Washer 0.25 x 3/8" #6 x 5/16" Plated Flat Washer	- - -
<b>Output connector parts</b>		
-	Output connector (Chassis mounted part) Universal Mate N Lock	-
-	Output connector pin For chassis mounted part	-
-	Output connector (Supplied to customer) Universal Mate N Lock	-
-	Output connector socket pin (Supplied to customer)	-

## 5.4.2 A2 Assembly Differential Parts (continued)

Model DCS 300-3.5 Differential Parts

Circuit Designation	Description	Sorenson Part number
C27	10nF 100V X7R 10% 5mm Ceramic capacitor	-
C45	220pF 1kV Z5F 10% 6.5mm Ceramic capacitor	-
C48,49,50, 50A,87	50nF 1kV Z5U -20%/+80% 10mm Ceramic disk capacitor	-
C48A,49A	10nF 1kV Z5U -20%/+80% 10mm Ceramic disk capacitor	-
C50B	0.1μF 250V 10% 15mm Metal film capacitor	-
C52,53	220μF 350V 30 x 35mm Snap in electrolytic capacitor	-
C54	4.7nF 100V X7R 10% 5mm Ceramic capacitor	-
C55	2.2nF 100V X7R 10% 5mm Ceramic capacitor	-
C60	330pF 100V X7R 10% 5mm Ceramic radial capacitor	-
C64	1nF 100V X7R 10% 5mm Ceramic capacitor	-
C64A	0.1μF 50V Z5U -20%/+80% 5mm Ceramic capacitor	-
L3	8.5μH 3.5A Output inductor	-
Q17	MTP4N90 NM 900V 4A NFET TO-220	-
R22	13.7kΩ 1% ¼W MF	-
R27	475Ω 1% ¼W MF	-
R64	4.99k ¼W 1% MF	-
R68	16.2kΩ 5% ¼W MF	-
R70	100k 1% ¼W MF	-
R71,73	4.02kΩ 1% ¼W MF	-
R72	2kΩ 1% ¼W MF	-
R85	976kΩ 1% ½W MF	-
R86	Empty Position	-
R89	787kΩ 1% ¼W MF	-
R90	22kΩ 5% 5W WW	-
R91	0.2Ω 1% 5W Non-inductance	-
R93	27Ω 5% 5W WW	-
R95	1.82Ω 1% ¼W	-
R100	11.8kΩ 1% ¼W MF	-
R107-110	10Ω 1% ¼W CF	-
R107A-110A	#24 Bus Wire	-
T1	1KVA 100kHz 300V 3.5A Transformer	-

**Model DCS 300-3.5 Differential Parts (continued)**

<b>Circuit Designation</b>	<b>Description</b>	<b>Sorensen Part number</b>
-	Differential heatsink for 8-300V models	-
<b>Rectifier PCB parts</b>		
-	Rectifier/snubber PCB PC 103R	-
For rectifier pcb mounting	9 mil Thermally conductive insulating sheet	-
C301-305	220pF 3kV Z5U 10% 6.5mm Ceramic capacitor	-
C306	50nF 1kV Z5U -20%/+80% 10mm Ceramic capacitor	-
For C306 mounting	#6 x 13/16" Bent Locking Solder Lug	-
	#6 Nylon Shoulder Washer	-
	#6-32 x 5/8" PPM Zinc	-
CR301-304	DSE130-10A UR 30A 1kV 50nS TO247AD	-
For CR301-304 mounting	Stiffener plate	-
	Nomex insulator	-
R301-304	330Ω 5% 3W MF	-
R305	470Ω 5% 5W WW Low inductance	-
For rectifier pcb mounting	#6-32 x 1" PPM CAD	-
	#6 x 1/4" Internal Lockwasher	-
For pcb & C306 mounting	#6 x 5/16" Plated Flatwasher	-
<b>Output connector parts</b>		
-	Output connector (Chassis mounted part) Universal Mate N Lock	-
-	Output connector pin For chassis mounted part	-
-	Output connector (Supplied to customer) Universal Mate N Lock	-
-	Output connector socket pin (Supplied to customer)	-

## 5.4.2 A2 Assembly Differential Parts (continued)

Model DCS 600-1.7 Differential Parts

Circuit Designation	Description	Sorensen Part number
C27	10nF 100V X7R 10% 5mm Ceramic capacitor	-
C45	100pF 1kV 10% 6.5mm Ceramic radial capacitor	-
C48,50,50A,87	50nF 1kV Z5U -20%/+80% 10mm Ceramic radial capacitor	-
C48A,49	10nF 1kV Z5U -20%/+80% 10mm Ceramic capacitor	-
C50B,50C	10nF 250V "Y" 10% 15mm Metal film capacitor	-
C51,52,53	1.5 $\mu$ F 630V 10% Axial 32mm Metal film capacitor	-
C54	47nF 50V X7R 10% 5mm Ceramic capacitor	-
C55	6.8nF 50V X7R 10% 5mm Ceramic capacitor	-
C60	180pF 100V X7R 10% 5mm Ceramic capacitor	-
C64	470pF 100V X7R 10% 5mm Ceramic capacitor	-
C64A	0.1 $\mu$ F 50V Z5U -20%/+80% 5mm Ceramic radial capacitor	-
C81,83-86	100pF 3kV Z5U -20%/+80% 6.5mm Ceramic capacitor	-
CR27A	1N4372A Z Case 3 3.0V 400mW	-
CR49,50-52	1N4148 UR D035 75V 300mA Diode	-
L3	Output inductor 36 $\mu$ H 1.7A	-
Q5A	PN2222A NB 40V 500mA 500mW TO92	-
Q17	MTP4N90 900V 4A NFET TO-220	-
R22	6.34k $\Omega$ 1% 1/4W MF	-
R27	475 $\Omega$ 1% 1/4W MF	-
R64	4.75k 1% 1/4W	-
R68	16.2k $\Omega$ 1% 1/4W	-
R70,72	2k $\Omega$ 1% 1/4W MF	-
R71,73	8.87k $\Omega$ 1% 1/4W	-
R85	976k $\Omega$ 1% 1/2W MF	-

**Model DCS 600-1.7 Differential Parts (continued)**

<b>Circuit Designation</b>	<b>Description</b>	<b>Sorensen Part number</b>
R86	Empty Position	-
R89	1.6M $\Omega$ 5% 1/2W	-
R90	91k 5% 5W WW	-
R91	0.2 $\Omega$ 1% 5W Non inductive	-
R93	47 $\Omega$ 5% 5W WW	-
R95	1.82 $\Omega$ 1% 1/4W	-
R100	11.8k $\Omega$ 1% 1/4W MF	-
R103A	16 $\Omega$ 5% 1W Film Resistor	-
R107-110	36 $\Omega$ 5% 1/4W CF	-
R107A-110A	36.5 $\Omega$ 1% 1/4W	-
R121,121A	470 $\Omega$ 5% 5W WW Low inductance	-
R125-128	1k $\Omega$ 5% 5W WW Low inductance	-
T1	1KVA 100kHz 600V 1.7A Transformer	-
<b>Output connector parts</b>		
-	Rectifier Heatsink/Bus	-
-	Output connector (Chassis mounted part) Universal Mate N Lock	-
-	Output connector pin For chassis mounted part	-
-	Output connector (Supplied to customer) Universal Mate N Lock	-
-	Output connector socket pin (Supplied to customer)	-
<b>Rectifier PCB Parts</b>		
Complete Assy	Complete DCSXKW 600-1.7 Rectifier Assembly	-
Bare PCB	Rectifier PCB PC 106R	-
Rectifier heatsink	Heatsink plate DCSXKW 600-1.7 Rectifier Assembly	-
For clamping rectifiers to heatsink	Clamp plate DCSXKW 600-1.7 Rectifier Assembly	-

## Model DCS 600-1.7 Differential Parts (continued)

Circuit Designation	Description	Sorensen Part number
C300	50nF 1kV Z5U -20%/+80% 10mm Ceramic Capacitor	-
For connecting C300 to chassis	#6-13/16" Bent Locking Solder Lug	-
C301,302,303, 304, 305	100pF 3kV Z5U -20%/+80% 6.5mm Ceramic Capacitor	-
C306 to 313	22pF 10% 1kV S2L 0.2" Ceramic Capacitor	-
CR300 to 307	DSET UR 8A 1kV 50nS T220	-
R300,301	470Ω 5% 5W WW Low Inductance	-
R302,303,304,305	1kΩ 5% 5W WW Low Inductance	-
For insulating heatsink from chassis	#6 Nylon Shoulder Washer, 0.25" SD x 3/8"	-
For securing red rectifier assembly wire to transformer lead wire	4" Nylon Cable Tie	-
For insulating rectifiers from heatsink	Thermal Insulation	-
For insulating heatsink from A2 PCB	Nomex Insulation	-
For mounting clamp to rectifier heatsink	#6 - 32 x 3/8" PPM Zinc	-
For mounting heatsink and rectifier clamp	#6 - 32 x 1/2" PPM Zinc	-
For mounting heatsink and rectifier clamp	#6 x 1/4" Internal Lockwasher	-
For mounting heatsink and rectifier clamp	#6 x 5/16" Plated Flatwasher	-
For connecting positive output to A2 PCB	#18 TEW Stranded Red, 12.5"	-

## 5.5 Chassis and Cover Assembly Replacement Parts

Circuit Designation	Description	Sorensen Part number
B1	Cooling fan (radial) 115Vac 50/60Hz 22CFM 1.6" high x 4.75" square	-
For mounting cooling fan	Vinyl bumper (adhesive backed)	-
-	Chassis	-
-	Nomex chassis insulator	-
-	Cover	-
-	Nomex cover insulator	-
-	25 Pin male DSUB connector Mates to connector J3	-
<b><u>Model DCS33-33 Differential Parts</u></b>		
C305	50nF 1kV Z5U - 20%/+80% 10mm Ceramic radial capacitor	-
For mounting C305	#6 Bent Locking Solder Lug #6 Nylon Shoulder Washer	
<b><u>Model DCS40-25 Differential Parts</u></b>		
C306	50nF 1kV Z5U - 20%/+80% 10mm Ceramic Capacitor	-
For C306	#6 Bent Locking Solder Lug 3/16"	
<b><u>Model DCS60-18 Differential Parts</u></b>		
C305, C306	50nF 1kV Z5U - 20%/+80% 10mm Ceramic Capacitor	-
For C305, C306	#6 x 13/16" Bent Locking Solder lug #6 Nylon Shoulder Washer 0.25 x 3/8" #6 x 5/26" Plated Flat Washer	
<b><u>Model DCS80-13 Differential Parts</u></b>		
C306	50nF 1kV Z5U - 20%/+80% 10mm Ceramic Capacitor	-
For C306 mounting	#6 x 13/16" Bent Locking Solder lug #6 Nylon Shoulder Washer 0.25 x 3/8" #6 x 5/26" Plated Flat Washer	



## APPENDIX A Application Note

### Battery Charging

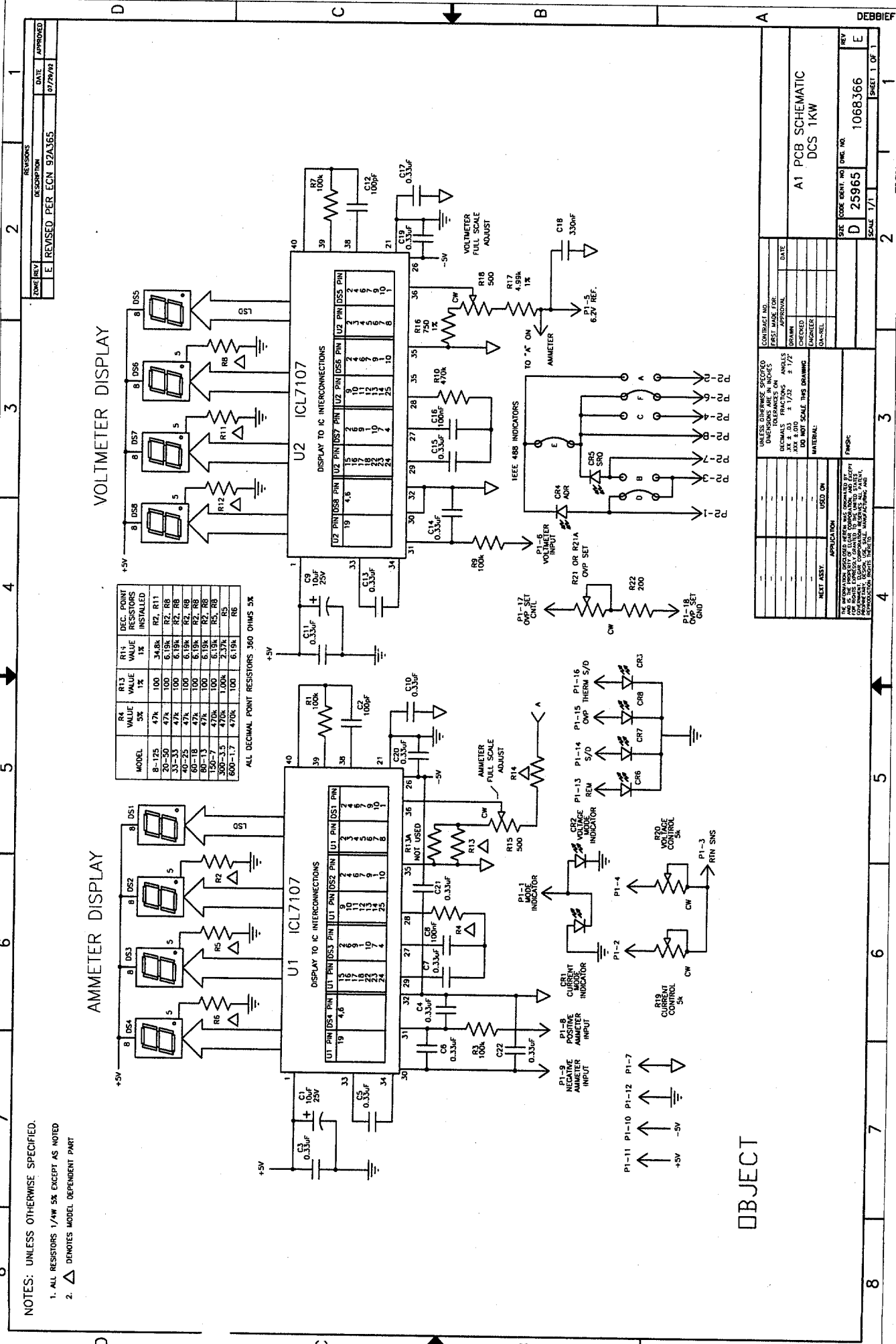
When using the DCS (1kW) Series power supply to charge a battery, take the following precautions to prevent damage to the supply and/or the battery in case the overvoltage protection (OVP) circuit is activated.

- Select a diode rated to handle the required charging current and voltage. Use the following table as a reference.

Peak Charging Current	Maximum Voltage	Diode Type
250-350A	40V	Two (2) parallel MBR30045CT
60-249A	40V	One (1) MBR30045CT
25-59A	100V	One (1) MUR7015
10-24A	300V	One (1) MUR3040PT
5-9A	500V	One (1) MUR1560
<5A	600V	One (1) MUR758

- Connect the diode in series with either supply output to prevent the battery from discharging through the internal OVP crowbar transistor. The diode must be mounted on a suitably-rated heatsink to prevent its case temperature from exceeding the manufacturer's maximum limits.

ZONE	REV	DESCRIPTION	DATE	APPROVED
E		REVISED PER ECN 92A365	07/26/92	



- NOTES: UNLESS OTHERWISE SPECIFIED.
1. ALL RESISTORS 1/4W 5% EXCEPT AS NOTED
  2. Δ DENOTES MODEL DEPENDENT PART

OBJECT

UNLESS OTHERWISE SPECIFIED		CONTRACT NO.	
PRECISION	± 1/2%	DATE	
TOLERANCES ON	± 1/2%	APPROVAL	
ANGLES	± 1/2°	DATE	
AXIS & DIM	± 1/2°	DATE	
DO NOT SCALE THIS DRAWING		DATE	
MATERIAL:		DATE	
TEST ASST.	USED ON	DATE	
APPLICATION		DATE	

REV	DESCRIPTION	DATE
E	1068366	
D	25965	

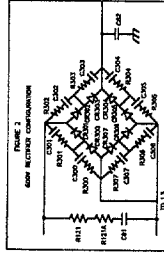
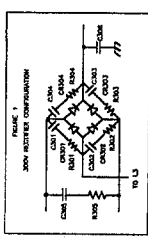
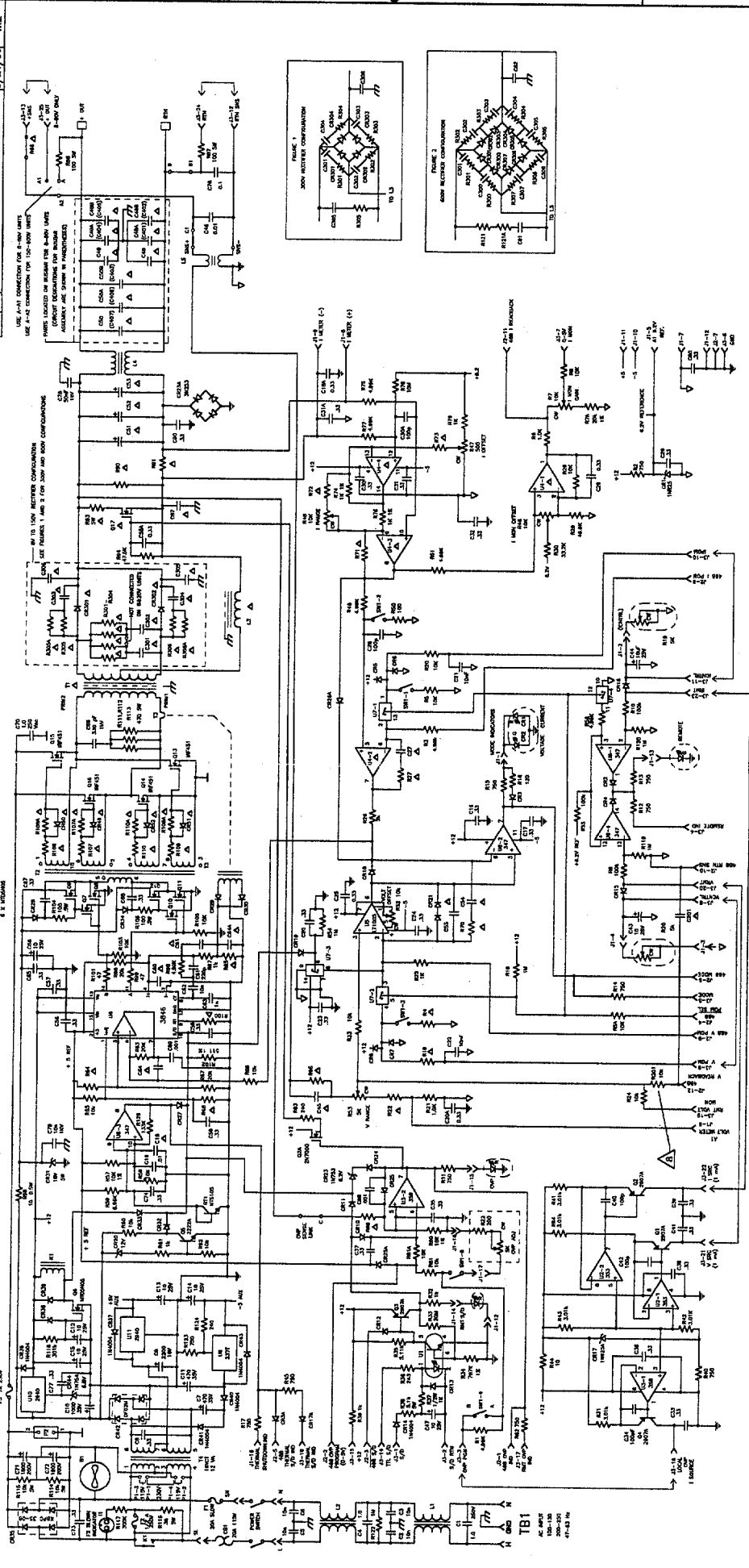
SIZE	D	DATE	07/26/92
SCALE	1/1	REV	E
SHEET	1	REV	E
OF	1	REV	E

A1 PCB SCHEMATIC  
DCS 1KW

ZONE	REV	DESCRIPTION	DATE	APPROVED
L	1	REVISED PER ECN 94A248	04/22/88	ML
M	2	REVISED PER ECN N950416	04/22/88	ML
N	3	REVISED PER ECN N950747	04/22/88	ML
P	4	REVISED PER ECN N960132	04/22/88	ML
R	5	REVISED PER ECN N960276	05/19/88	ML
T	6	REVISED PER ECN N960429	07/09/88	ML
U	7	REVISED PER ECN N960460	07/21/88	ML

ZONE	REV	DESCRIPTION	DATE	APPROVED
V	8	REVISED PER ECN N960565	10/4/88	ML
W	9	REVISED PER ECN N960891	1/15/89	ML
Y	10	REVISED PER ECN N970153	4/7/89	ML
AA	11	REVISED PER ECN N980312	3/31/89	STAPP

ZONE	REV	DESCRIPTION	DATE	APPROVED
1	1	ALL UNMARKED DIODES 1N4148 (EXCEPT FIG. 1 AND FIG. 2)		
2	2	ALL FIRED RESISTORS 1/4W UNLESS OTHERWISE INDICATED		
3	3	CAPACITANCE IN MICROFARADS UNLESS OTHERWISE INDICATED		
4	4	DELTA DENOTES MODEL DEPENDENT VALUE		
5	5	SPECIFICATIONS SUBJECT TO CHANGE WITHOUT NOTICE		
6	6	COMPONENTS ENCLOSED IN DASHED LINES LOCATED ON A1 PCB - UNLESS OTHERWISE INDICATED		
7	7	EXTERNAL J3 JUMPERS SHOWN CONNECTED FOR LOCAL OPERATION		
8	8	R201, FOR -1, -3 ONLY.		

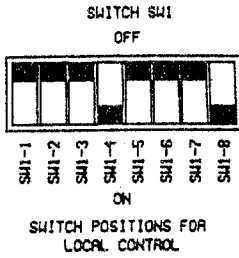


		A2 PCB SCHEMATIC	
		DCS 1KW	
CONTRACT NO.	DATE	APPROVAL	DATE
FIRST MADE FOR:		DRAWN	
		CHECKED	
		ENGINEER	
		QA-REL.	
UNLESS OTHERWISE SPECIFIED DIMENSIONS ARE IN INCHES DECIMALS FRACTIONS ± 1/32 ± 1/2		DO NOT SCALE THIS DRAWING	
MATERIAL		USED ON	
NEXT ASST.		APPLICATION	
THIS INFORMATION AND DATA HEREIN WAS OBTAINED BY THE UNITED STATES GOVERNMENT UNDER A CONTRACT WITH THE UNITED STATES GOVERNMENT. IT IS HEREBY DECLARED TO BE PUBLIC INFORMATION.			
SIZE	CODE	DRG. NO.	REV
D	25965	1068365	AA
SCALE	MA		SHEET 1 OF 1

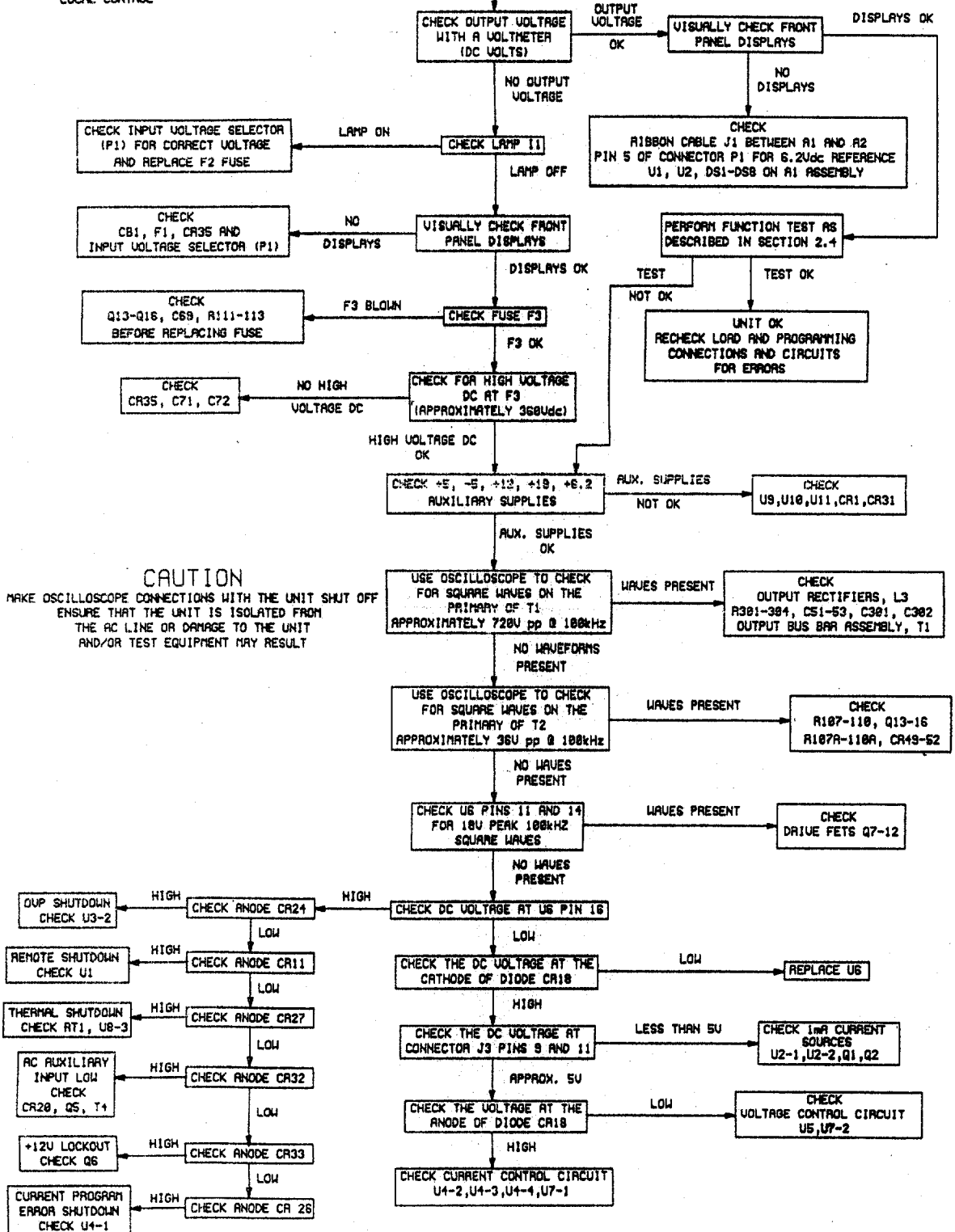
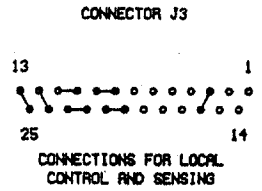
# TROUBLESHOOTING GUIDE

## CAUTION

READ SECTION 4.3 BEFORE PROCEEDING AND PERFORM  
THE PRELIMINARY CHECKS IN SECTION 4.3.1



**SETUP**  
TURN THE POWER SWITCH OFF  
DISCONNECT THE UNIT FROM THE AC SOURCE  
DISCONNECT THE LOAD FROM THE OUTPUT TERMINALS  
DISCONNECT ANY PROGRAMMING OR MONITOR LINES  
CONFIGURE SWITCH SW1 AND CONNECTOR J3 FOR LOCAL CONTROL  
(SEE DIAGRAMS AT LEFT AND RIGHT FOR SETTINGS AND CONNECTIONS)  
SET VOLTAGE AND CURRENT CONTROLS FULLY CLOCKWISE  
CONNECT THE UNIT TO THE AC SOURCE THROUGH AN ISOLATION TRANSFORMER  
TURN UNIT ON



**CAUTION**  
MAKE OSCILLOSCOPE CONNECTIONS WITH THE UNIT SHUT OFF  
ENSURE THAT THE UNIT IS ISOLATED FROM  
THE AC LINE OR DAMAGE TO THE UNIT  
AND/OR TEST EQUIPMENT MAY RESULT